



PIONEER PARK POOL COMMERCE CITY, CO, USA PROJECT NO: 32220 GROUP P (APC 700TB) - CLIENT SET

DRAWING INDEX		
DRAWING NO	TITLE	REV
362216-IDL	DRAWING INDEX LIST, GROUP P, PIONEER PARK POOL, COMMERCE CITY, CO, USA	A.1

PROJECT DEFINITION		
DRAWING NO	TITLE	REV
32220-NSP	PROJECT NOTES AND SPECIFICATIONS, PIONEER PARK POOL, COMMERCE CITY, CO, USA	A.1
32220-SPN	SITE PLAN, PIONEER PARK POOL, COMMERCE CITY, CO, USA	A.1

PRODUCT DEFINITION		
DRAWING NO	TITLE	REV
358705-PRD	PRODUCT, AQUAPLAY, APC 700TB	A.1

PRODUCT LAYOUTS		
DRAWING NO	TITLE	REV
358705-SPL	STANDPIPE & TIE-POINT LAYOUT, PRODUCT, AQUAPLAY, APC 700TB	A.1
358705-SSL	SLIDE SUPPORT LAYOUT, PRODUCT, AQUAPLAY, APC 700TB	A.1

STANDARD DETAILS		
DRAWING NO	TITLE	REV
346771-STD	STD DETAIL, ANCHORAGE, SLIDE SUPPORT, TELESCOPIC, NPS 4 [DN100]	X2
334780-STD	STD DETAIL, RISER TIE-IN, AQUAPLAY	X2
327807-STD	STD DETAIL, ANCHORAGE, STANDPIPE, NPS 4 [DN 100]	X2
328065-STD	STD DETAIL, SLAB ON GRADE, AP 50 TO AP 1050T	X3
S190	ALL SLIDE FLUME TYPES CAULKING APPLICATION STANDARD, PIONEER PARK POOL, COMMERCE CITY, CO, USA	0
S243	SLIDE ENTRY AND EXIT DETAILS, PIONEER PARK POOL, COMMERCE CITY, CO, USA	0
S290	SHUTDOWN LANE MARKING PROCEDURE, PIONEER PARK POOL, COMMERCE CITY, CO, USA	0
S220	AQUAPLAY MINI MULTILANE ENTRY AND EXIT DETAILS, PIONEER PARK POOL, COMMERCE CITY, CO, USA	0

PIPING AND INSTRUMENTATION DIAGRAMS		
DRAWING NO	TITLE	REV
366566-PID	MECHANICAL, P&ID, GROUP P, PIONEER PARK POOL, COMMERCE CITY, CO, USA	X1

SLIDE PATH DRAWINGS		
DRAWING NO	TITLE	REV
362217-SCT	SLIDE COORDINATE TABLE, GROUP P, PIONEER PARK POOL, COMMERCE CITY, CO, USA	X1

A.1	ISSUE FOR UPDATE	14-APR-2015
A	ISSUE FOR APPROVAL	30-MAR-2015
X1	PRELIMINARY - NOT FOR CONSTRUCTION	26-FEB-2015
REV	ISSUE HISTORY	DATE
<small> PROPRIETARY AND CONFIDENTIAL COPYRIGHT © 2011 BY WHITEWATER WEST INDUSTRIES LTD. PIONEER PARK POOL, COMMERCE CITY, CO, USA CANADA ALL RIGHTS RESERVED. THIS DOCUMENT AND THE INFORMATION CONTAINED HEREIN IS PROPRIETARY AND CONFIDENTIAL. IT IS PROTECTED BY COPYRIGHT LAW AND INTERNATIONAL PATENTS. THIS DOCUMENT MAY NOT BE COPIED, STORED, TRANSMITTED OR OTHERWISE USED, IN WHOLE OR IN PART, WITHOUT THE EXPRESSED WRITTEN PERMISSION OF WHITEWATER WEST INDUSTRIES LTD. </small>		
		<small> WHITEWATER WEST INDUSTRIES LTD. 6700 McMillan Way Edmonton, BC Canada T6H 1J7 Ph: (804) 272-1988 Fax: (804) 272-4418 www.whitewaterwest.com </small>
PROJECT NUMBER	TITLE, PROJECT NAME & LOCATION	
32220	DRAWING INDEX LIST PIONEER PARK POOL COMMERCE CITY, CO, USA	
DRAWN BY	DATE	REVISION
BE	24-FEB-2015	A.1
CHECKED BY	DATE	SIZE
BT	25-FEB-2015	D
APPROVED BY	DATE	SCALE
LK	26-FEB-2015	NONE
<small> PDM MAINTAINED DATA CHANGES SHALL BE INCORPORATED ELECTRONICALLY BY THE DESIGN AUTHORITY </small>		CAD REFERENCE
		362216.DWG
		SHEET 1 OF 1

REV.	DESCRIPTION	EC-TYPE	MODIFIED BY	APPROVED DATE	APPROVED BY	PDM MAINTAINED DATA
A.1	EDITORIAL UPDATES	-	BE	14-APR-2015	LK	INCORPORATED ELECTRONICALLY BY THE DESIGN AUTHORITY

PROJECT NOTES

DRAWING CONTEXT
THIS PROJECT-SPECIFIC DRAWING SET IS ISSUED FOR OWNER'S APPROVAL OF THE CONTEXT OF AQUATIC WATER PARK EQUIPMENT AND FEATURES WITHIN THE PROJECT AS A WHOLE. SIGNED COPIES OF THESE DRAWINGS BECOME PART OF THE CONTRACT AND CONSTITUTE AN AGREEMENT AS TO PROJECT SCOPE AND GENERAL CONDITIONS BETWEEN THE PARTIES THERETO.

RESPONSIBILITY
SITE PREPARATION, SLAB CONSTRUCTION AND PROVISION OF A SUITABLE LAYDOWN AREA SHALL BE THE EXCLUSIVE RESPONSIBILITY OF THE GENERAL CONTRACTOR OR HIS AGENT.

WARRANTIES
WHITEWATER WEST INDUSTRIES LTD (WWI) WARRANTS THAT THE ENTIRE CONTRACTED SCOPE OF SUPPLY SHALL BE DELIVERED TO THE SIGHT IN "AS NEW" CONDITION. WWI WILL, AT ITS SOLE DISCRETION, REPAIR, REPLACE OR OTHERWISE MAKE GOOD ANY LOSS, DAMAGE OR DEFICIENCY RESULTING FROM ACTIONS FOR WHICH IT IS DIRECTLY RESPONSIBLE UNDER THE TERMS OF THE CONTRACT. WHITEWATER WEST WILL NOT ON ANY ACCOUNT BE HELD RESPONSIBLE FOR LOSS, DAMAGE OR DEFICIENCY CAUSED BY OTHERS INCLUDING BUT NOT LIMITED TO: THE GENERAL CONTRACTOR OR ITS AGENTS, THIRD PARTY SHIPPING OR STORAGE COMPANIES ACTING ON INSTRUCTIONS OF THE GENERAL CONTRACTOR OR ITS AGENTS. WHITEWATER WEST WILL WORK COOPERATIVELY TO SUPPLY REPLACEMENT PARTS AS REQUESTED. SUCH COOPERATION SHALL NOT BE CONSTRUED AS ACCEPTANCE OF FINANCIAL LIABILITY.

APPLICABLE STANDARDS:
WHITEWATER WEST INDUSTRIES LTD., PRODUCT LINES COMPLY WITH:
ADA STANDARDS FOR ACCESSIBLE DESIGN
AS 4685 - AUSTRALIAN STANDARDS FOR PLAYGROUNDS
ASTM F1159 - DESIGN AND MANUFACTURE OF PATRON DIRECTED, ARTIFICIAL CLIMBING WALLS, DRY SLIDE, COIN OPERATED AND PURPOSEFUL WATER IMMERSION AMUSEMENT RIDES AND AIR-SUPPORTED STRUCTURES
ASTM F1193 - STANDARD PRACTICE FOR QUALITY, MANUFACTURING AND CONSTRUCTION OF AMUSEMENT RIDES AND DEVICES
ASTM F1487 - CONSUMER SAFETY PERFORMANCE SPECIFICATION FOR PLAYGROUND EQUIPMENT FOR PUBLIC USE (EXCEPT AS NOTED IN ASTM F2461)
ASTM F2371 - STANDARD PRACTICE FOR DESIGN OF AMUSEMENT RIDES AND DEVICES
ASTM F2376 - PRACTICE FOR DESIGN, MANUFACTURE, CONSTRUCTION AND OPERATION OF WATER SLIDE EQUIPMENT
ASTM F2461 - STANDARD PRACTICE FOR MANUFACTURE, CONSTRUCTION, OPERATION AND MAINTENANCE OF AQUATIC PLAY EQUIPMENT
CSA W47.1 - CERTIFICATION OF COMPANIES FOR FUSION WELDING OF STEEL
CSA W59 - WELDED STEEL CONSTRUCTION (METAL ARC WELDING)
CSA Z614 - CHILDREN'S PLAY SPACES AND EQUIPMENT
EN 1176-1 - PLAYGROUND EQUIPMENT AND SURFACING GENERAL SAFETY REQUIREMENTS AND TEST METHODS

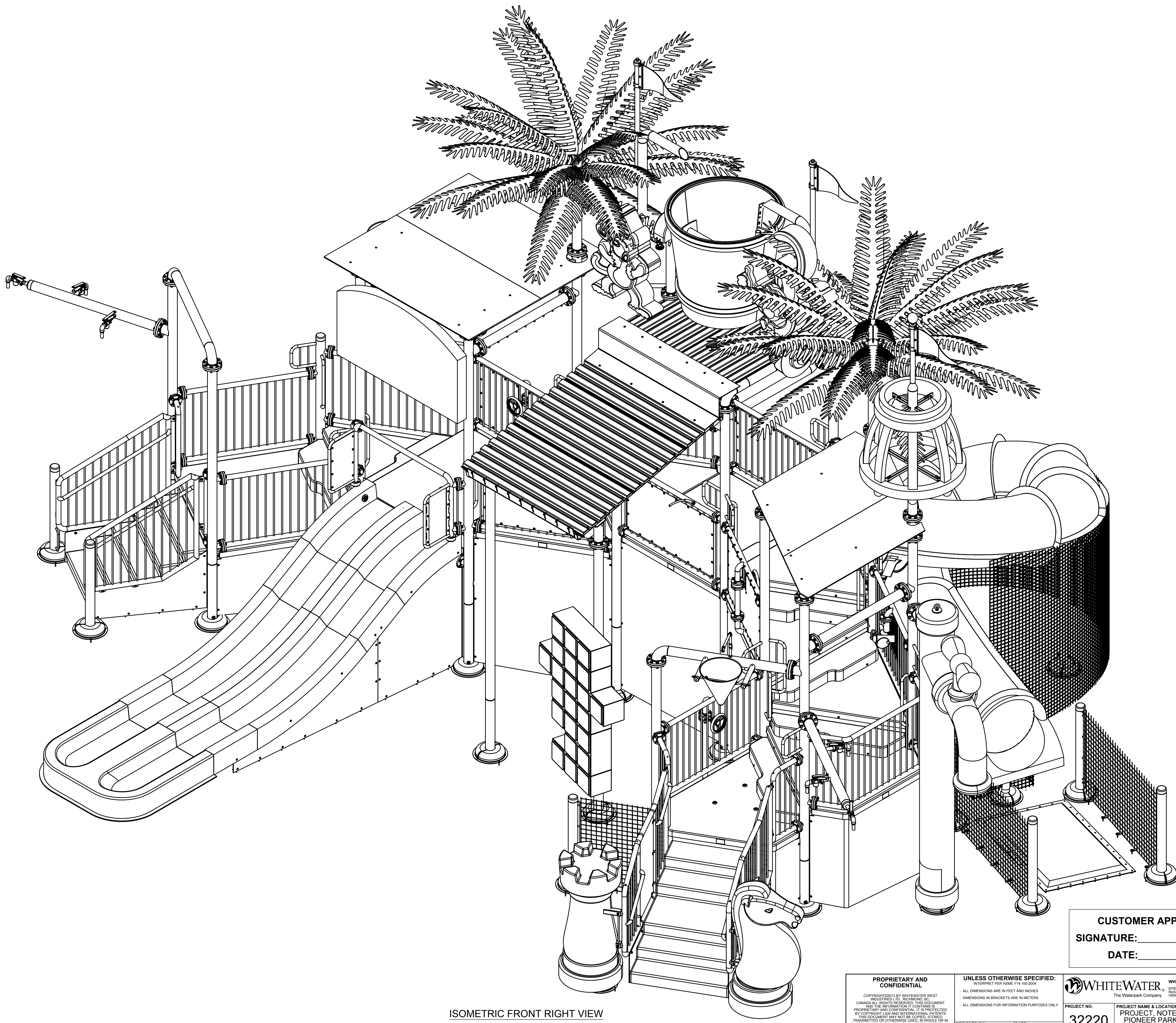
STRUCTURAL STEEL
SHALL BE IN ACCORDANCE WITH:
AISC - LRFD 3RD ED - AMERICAN INSTITUTE OF STEEL CONSTRUCTION
CAN/CSA S16-01 - LIMIT STATES DESIGN OF STEEL CONSTRUCTION
IBC 2009 - INTERNATIONAL BUILDING CODE
ASTM F708 - STANDARD PRACTICE FOR DESIGN AND INSTALLATION OF RIGID PIPE HANGERS
SHAPES, PLATES, AND BARS: ASTM A36 (FY=240 MPa, 36 ksi)
STEEL PIPES: ASTM A53 GRADE B (FY=240 MPa, 36 ksi)
HOLLOW STRUCTURAL SECTIONS: ASTM A500 GR B (FY=58 MPa, 46 ksi)
STRUCTURAL BOLTS GALVANIZED GRADE A325 OR STAINLESS STEEL GRADE 18-8 UNLESS NOTED OTHERWISE
STEEL DESIGN SHALL BE IN ACCORDANCE WITH ASTM A385 - STANDARD PRACTICE FOR PROVIDING HIGH-QUALITY ZINC COATINGS (HOT-DIP)
ALL STEEL SHALL BE HOT-DIP GALVANIZED IN ACCORDANCE WITH ASTM A123 - STANDARD SPECIFICATION FOR ZINC (HOT-DIP GALVANIZED) COATINGS ON IRON AND STEEL PRODUCTS.
ALL DAMAGED AREAS OF GALVANIZED COATINGS SHALL BE REPAIRED IN ACCORDANCE WITH ASTM A780/A780M-09 - STANDARD PRACTICE FOR REPAIR OF DAMAGED AND UNCOATED AREAS OF HOT-DIP GALVANIZED COATINGS

FOUNDATIONS:
FOUNDATION REQUIREMENTS FOR AP MODELS ARE LOCATED IN 328065 UNLESS NOTED OTHERWISE IN PROJECT DEFINITION PACKAGE OR STRUCTURAL ENGINEERING PACKAGE.

WWI WELDING STANDARDS
CSA W47.1 - CERTIFICATION OF COMPANIES FOR FUSION WELDING OF STEEL, AND CSA W59 - WELDED STEEL CONSTRUCTION (METAL ARC WELDING) ARE THE AUTHORITATIVE DOCUMENTS THAT ESTABLISH THE MINIMUM SPECIFICATIONS FOR ALL WELDING PERFORMED BY, OR ON BEHALF OF WWI IN THE MANUFACTURE, ASSEMBLY, INSTALLATION AND REPAIR OF WWI PRODUCTS. SUBCONTRACTORS ARE REQUIRED TO HAVE THEIR OWN CWB APPROVED WELD PROCEDURES IN PLACE FOR THE TYPES OF WELDS SHOWN ON WWI DRAWINGS. ALL WELDING SHALL BE CARRIED OUT BY WELDERS QUALIFIED UNDER CSA W47.1 WHERE WWI DRAWINGS SPECIFY WELDING THAT EXCEEDS THE MINIMUM REQUIREMENTS OF THE CWB-APPROVED WELD PROCEDURES, THE DRAWINGS SHALL TAKE PRECEDENCE.

CAVEAT
REASONABLE PROFESSIONAL CARE HAS BEEN TAKEN IN THE PREPARATION OF THIS DOCUMENT. ALL INFORMATION CONTAINED HEREIN SHALL BE SUBJECT TO USER VERIFICATION PRIOR TO USE. ERRORS AND OMISSIONS EXCEPTED.

PROJECT SPECIFICATION	
CLIENT INFORMATION	HIGH COUNTRY POOLS INC.
WIND LOAD	<110 MPH
SNOW LOAD	@ 30 PSF
SEISMIC LOAD	SEISMIC DESIGN CATAGORY B. SEISMIC SITE CLASS D
LOCAL RESTRICTIONS	NONE
APPLICABLE CODES	NONE
ENVIRONMENT (INDOOR/OUTDOOR)	OUTDOOR
SLAB ON GRADE THICKNESS	8 IN
REBAR SIZE AND SPACING	#4 @ 8 IN OC
MAXIMUM WATER DEPTH	3'-6"
POOL CONTOUR	SLOPED
THEMING	GAMES THEME

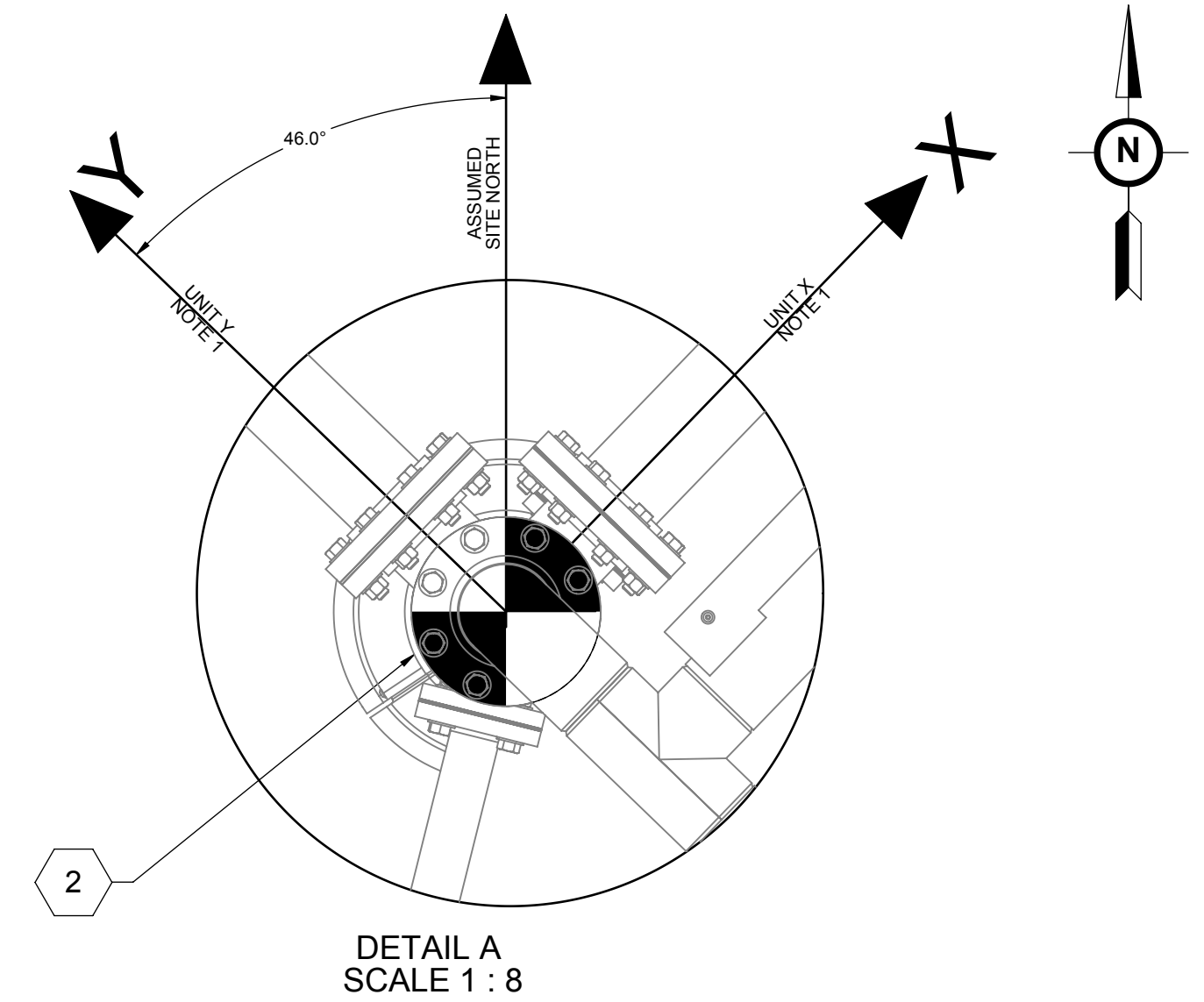
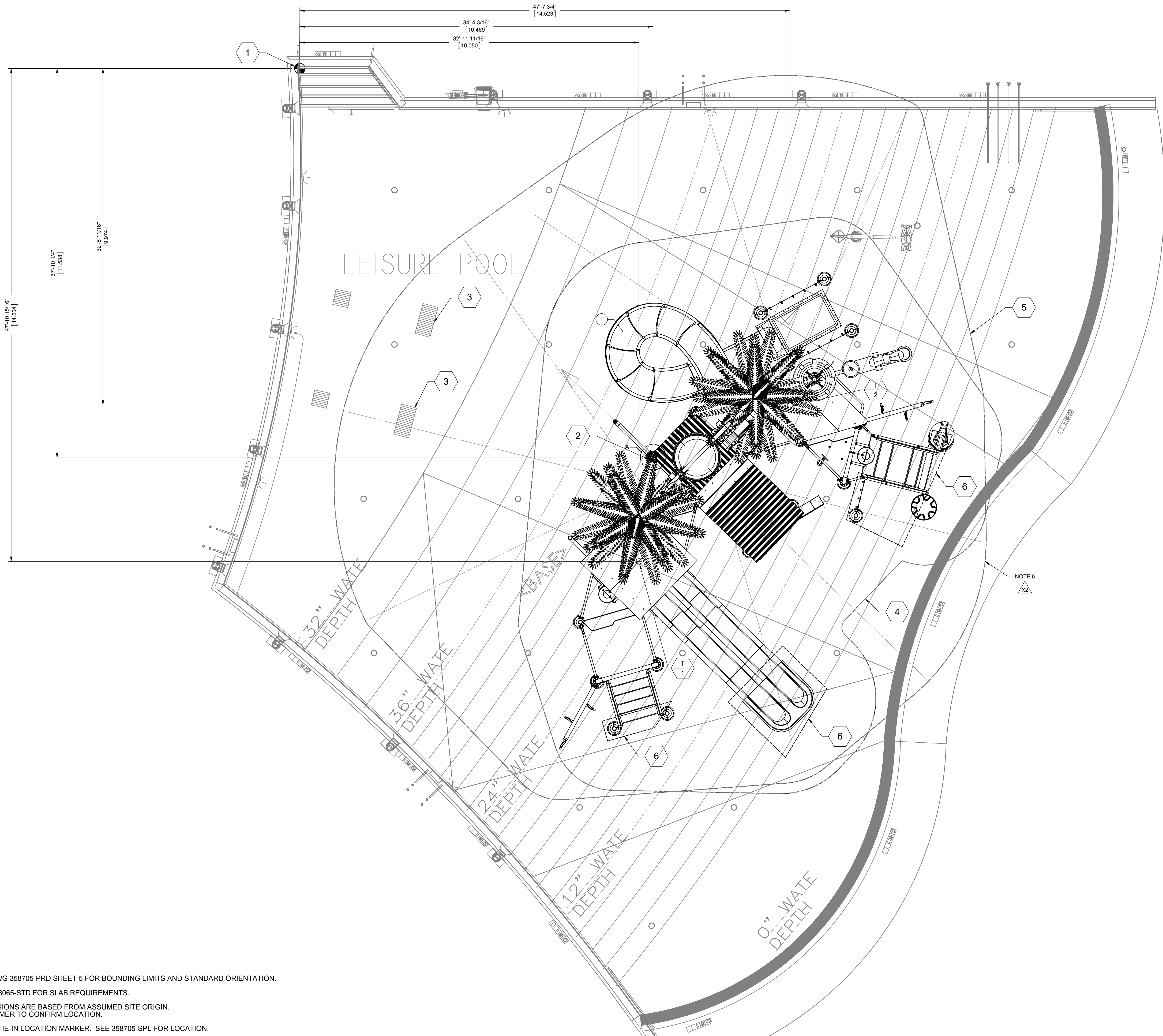


ISOMETRIC FRONT RIGHT VIEW

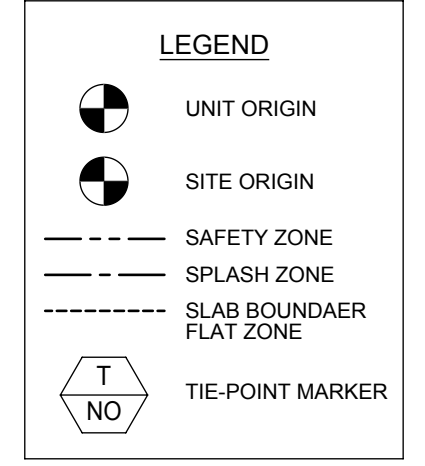
CUSTOMER APPROVAL:
SIGNATURE: _____
DATE: _____

PROPRIETARY AND CONFIDENTIAL COPYRIGHT © 2015 BY WHITEWATER WEST INDUSTRIES LTD., RICHMOND, BC, CANADA. ALL RIGHTS RESERVED. THIS DOCUMENT AND THE INFORMATION IT CONTAINS IS PROPRIETARY AND CONFIDENTIAL. IT IS PROTECTED BY COPYRIGHT LAW AND INTERNATIONAL TREATIES. THIS DOCUMENT MAY NOT BE COPIED, STORED, TRANSMITTED OR OTHERWISE USED, IN WHOLE OR IN PART, WITHOUT THE EXPRESS WRITTEN PERMISSION OF WHITEWATER WEST INDUSTRIES LTD.		UNLESS OTHERWISE SPECIFIED: - ALL DIMENSIONS ARE IN FEET AND INCHES - DIMENSIONS IN BRACKETS ARE IN METERS - ALL DIMENSIONS FOR INFORMATION PURPOSES ONLY		WHITEWATER The Waterpark Company WHITEWATER WEST INDUSTRIES LTD. 8700 Markham Way Richmond, BC, Canada Ph: (604) 273-1088 Fax: (604) 273-6918 www.whitewaterwest.com	
DESIGNED BY: BE DATE: 05-JAN-2015		PROJECT NO: 32220		PROJECT NAME & LOCATION: PIONEER PARK POOL, COMMERCE CITY, CO, USA	
DRAWN BY: SW DATE: 24-FEB-2015		SIZE: D		DRAWING NO: 32220-01-NSP	
CHECKED BY: BT DATE: 26-FEB-2015		SCALE: 1:24		SHEET: A.1	
APPROVED BY: LK DATE: 26-FEB-2015		CAD REFERENCE: 32220-01-PRJ.SLDASM		REVISION: 1 OF 1	

REV.	DESCRIPTION	EC-ID	MODIFIED BY	APPROVAL DATE	APPROVED BY
A.1	TETRIS BLOCK DESIGN CHANGE	-	AB	14-APR-2015	LK



- 1 ASSUMED SITE ORIGIN
NOTE 3
- 2 AQUAPLAY UNIT ORIGIN
NOTE 3
- 3 ASSUMED INTERIOR DRAIN
NOTE 3
- 4 SAFETY ZONE
NOTE 1
- 5 SPLASH ZONE
NOTE 1
- 6 FLAT SLAB ZONE
NOTE 1



PRODUCT DATA PLATE
2 NOTE 5

WhiteWater West Industries Ltd.
6700 McMillan Way Richmond BC V6W 1J7 Canada
Tel: +1 (604) 273-1068 / Fax: +1 (604) 273-4518
whitewater@whitewaterwest.com
www.whitewaterwest.com

UNIT SERIAL NUMBER	32220-01	DATE OF MANUFACTURE	2015
PRODUCT FAMILY	AQUAPLAY	DESIGNATION	AP 700TB
WATER FLOW	1300 [GPM] / 4921 [LITRE/MIN]		
CAPACITY BY WEIGHT	MAXIMUM INDIVIDUAL RIDER WEIGHT 300 [LBS] / 136 [KG]		
CAPACITY BY NUMBERS	MAXIMUM 49 [PERSONS]		
RESTRICTIONS	DO NOT OPERATE ABOVE WIND SPEED OF 37 [MPH] / 60 [KM/H]		
PATENT NUMBER	US PATENTS: 5194048, 5662525, 5405294, 5967901, 6786830, 5820471, 6132318, 6210287, 6569023		

- NOTES:**
1. SEE DWG 358705-PRD SHEET 5 FOR BOUNDING LIMITS AND STANDARD ORIENTATION.
 2. SEE 328065-STD FOR SLAB REQUIREMENTS.
 3. DIMENSIONS ARE BASED FROM ASSUMED SITE ORIGIN. CUSTOMER TO CONFIRM LOCATION.
 4. RISER TIE-IN LOCATION MARKER. SEE 358705-SPL FOR LOCATION.
 5. SEE 358705-SNL SHEET 2 FOR DATA PLATE LOCATION. FOR INSTALLATION PURPOSES.
 6. CUSTOM BAFFLE PLATE ADDED. TO BE ADJUSTED ON SITE.

SITE PLAN

REV.	DESCRIPTION	EC-ID	MODIFIED BY	APPROVAL DATE	APPROVED BY
A.1	TETRIS BLOCK DESIGN CHANGE	-	AB	14-APR-2015	LK

<p>2 36227 1 DATA PLATE, 32220, APC 700TB</p> <p>1 358705 1 PRODUCT, AQUAPLAY, APC 700TB</p>	<p>ITEM ID QTY DESCRIPTION</p>	<p>PROPRIETARY AND CONFIDENTIAL</p> <p style="font-size: 8px;">COPYRIGHT © 2015 BY WHITEWATER WEST INDUSTRIES LTD., RICHMOND BC, CANADA. ALL RIGHTS RESERVED. THIS DOCUMENT AND THE INFORMATION IT CONTAINS IS PROPRIETARY AND CONFIDENTIAL. IT IS PROTECTED BY COPYRIGHT LAW AND IS NOT TO BE REPRODUCED, TRANSMITTED OR OTHERWISE USED, IN WHOLE OR IN PART, WITHOUT THE EXPRESS WRITTEN PERMISSION OF WHITEWATER WEST INDUSTRIES LTD.</p>	<p>UNLESS OTHERWISE SPECIFIED:</p> <p style="font-size: 8px;">- ALL DIMENSIONS ARE IN FEET AND INCHES - DIMENSIONS IN BRACKETS ARE IN METERS - ALL DIMENSIONS FOR INFORMATION PURPOSES ONLY</p>	<p>WHITEWATER The Waterpark Company</p> <p>WHITEWATER WEST INDUSTRIES LTD. 6700 McMillan Way Richmond, BC Canada Ph: (604) 273-1068 Fax: (604) 273-4518 www.whitewaterwest.com</p>
<p>DESIGNED BY: BE DATE: 05-JAN-2015</p> <p>DRAWN BY: SW DATE: 24-FEB-2015</p> <p>CHECKED BY: BT DATE: 26-FEB-2015</p> <p>APPROVED BY: LK DATE: 26-FEB-2015</p>		<p>PROJECT NO. 32220</p> <p>SITE NAME & LOCATION 32220-01-SPN PIONEER PARK POOL COMMERCE CITY, CO, USA</p>		<p>REVISION A.1</p> <p>SCALE: 1:60 CAD REFERENCE: 32220-01-PRJ.SLDASM SHEET 1 OF 1</p>

PRODUCT SPECIFIC NOTES

DRAWING CONTEXT:
THIS DOCUMENT IS PRODUCT SPECIFIC. IT CONTAINS CONFIGURATION DETAILS OF A PARTICULAR WHITEWATER WEST INDUSTRIES PRODUCT WHICH MAY BE STANDARD OR CUSTOMIZED, THEMED OR NON-THEMED.

THIS DRAWING MUST BE READ IN CONJUNCTION WITH WWI PROJECT DRAWING, ARCHITECTURAL SITE PLANS, SPECIFICATIONS, MECHANICAL AND ELECTRICAL DRAWINGS.

CAVEAT:
REASONABLE PROFESSIONAL CARE HAS BEEN TAKEN IN THE PREPARATION OF THIS DOCUMENT. ALL INFORMATION CONTAINED HEREIN SHALL BE SUBJECT TO USER VERIFICATION PRIOR TO USE. ERRORS AND OMISSIONS EXCEPTED.

RESPONSIBILITY:
SITE INSTALLATION IS THE RESPONSIBILITY OF THE GENERAL CONTRACTOR OR ITS AGENT. SITE PREPARATION, INCLUDING SLAB ON GRADE AND INSTALLATION OF ALL EMBEDDED COMPONENTS IS THE RESPONSIBILITY OF THE GENERAL CONTRACTOR OR ITS AGENT. WHITEWATER WEST INDUSTRIES LIMITED SHALL NOT BE HELD RESPONSIBLE FOR DAMAGE TO PROJECT COMPONENTS NOT UNDER ITS DIRECT CONTROL. DAMAGE TO COATINGS AFTER ON-SITE RECEIVING INSPECTION SHALL BE THE RESPONSIBILITY OF THE GENERAL CONTRACTOR OR ITS AGENT. REPAIR OF DAMAGED PAINT COATINGS MUST BE COMPLETED BEFORE ERECTION AND SHALL BE IN ACCORDANCE WITH 328082, INSTRUCTION, PAINT REPAIR.

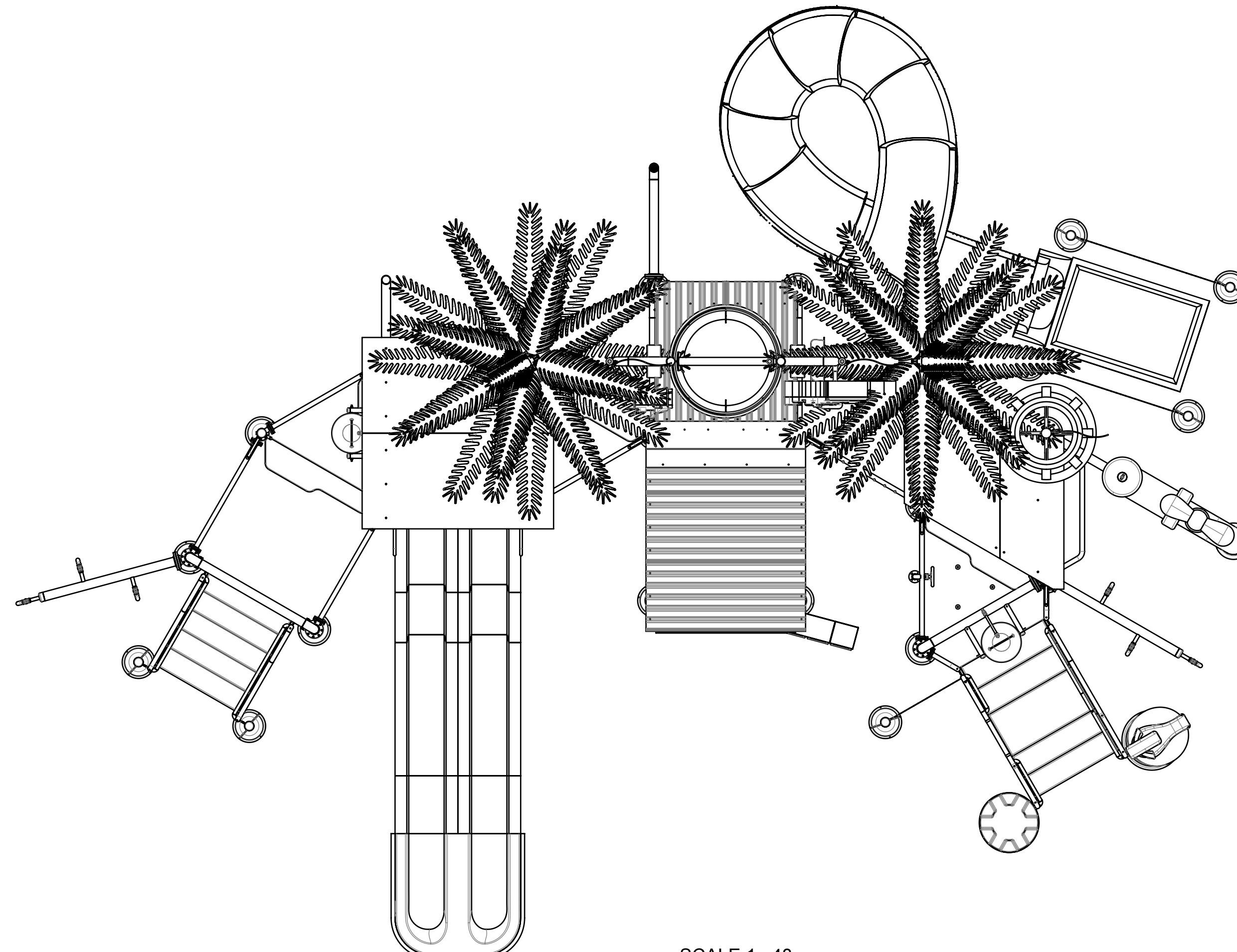
PRODUCT DELIVERY:
PRODUCTS MAY BE SHIPPED TO SITE VIA LAND OR SEA IN STANDARD SHIPPING CONTAINERS OR PALLETIZED. SHIPMENTS MAY BE GROUPED ACCORDING TO CONSTRUCTION PRIORITIES IF PRIOR ARRANGEMENTS ARE MADE WITH WHITEWATER.

- APPLICABLE STANDARDS:**
WHITEWATER WEST INDUSTRIES LTD., PRODUCT LINES COMPLY WITH:
- ASTM F2461 - STANDARD PRACTICE FOR MANUFACTURE, CONSTRUCTION, OPERATION AND MAINTENANCE OF AQUATIC PLAY EQUIPMENT
 - ASTM F1487 - CONSUMER SAFETY PERFORMANCE SPECIFICATION FOR PLAYGROUND EQUIPMENT FOR PUBLIC USE (EXCEPT AS NOTED IN ASTM F2461)
 - ASTM F2376 - PRACTICE FOR DESIGN, MANUFACTURE, CONSTRUCTION AND OPERATION OF WATER SLIDE EQUIPMENT
 - ASTM F2291 - STANDARD PRACTICE FOR DESIGN OF AMUSEMENT RIDES AND DEVICES AS 4685 - AUSTRALIAN STANDARDS FOR PLAYGROUNDS
 - CSA Z614 - CHILDREN'S PLAY SPACES AND EQUIPMENT
 - EN 1176-1 - PLAYGROUND EQUIPMENT AND SURFACING GENERAL SAFETY REQUIREMENTS AND TEST METHODS
 - ASTM F1193 - STANDARD PRACTICE FOR QUALITY, MANUFACTURING AND CONSTRUCTION OF AMUSEMENT RIDES AND DEVICES
 - ADA STANDARDS FOR ACCESSIBLE DESIGN
 - CSA W47.1 - CERTIFICATION OF COMPANIES FOR FUSION WELDING OF STEEL
 - CSA W59 - WELDED STEEL CONSTRUCTION (METAL ARC WELDING)

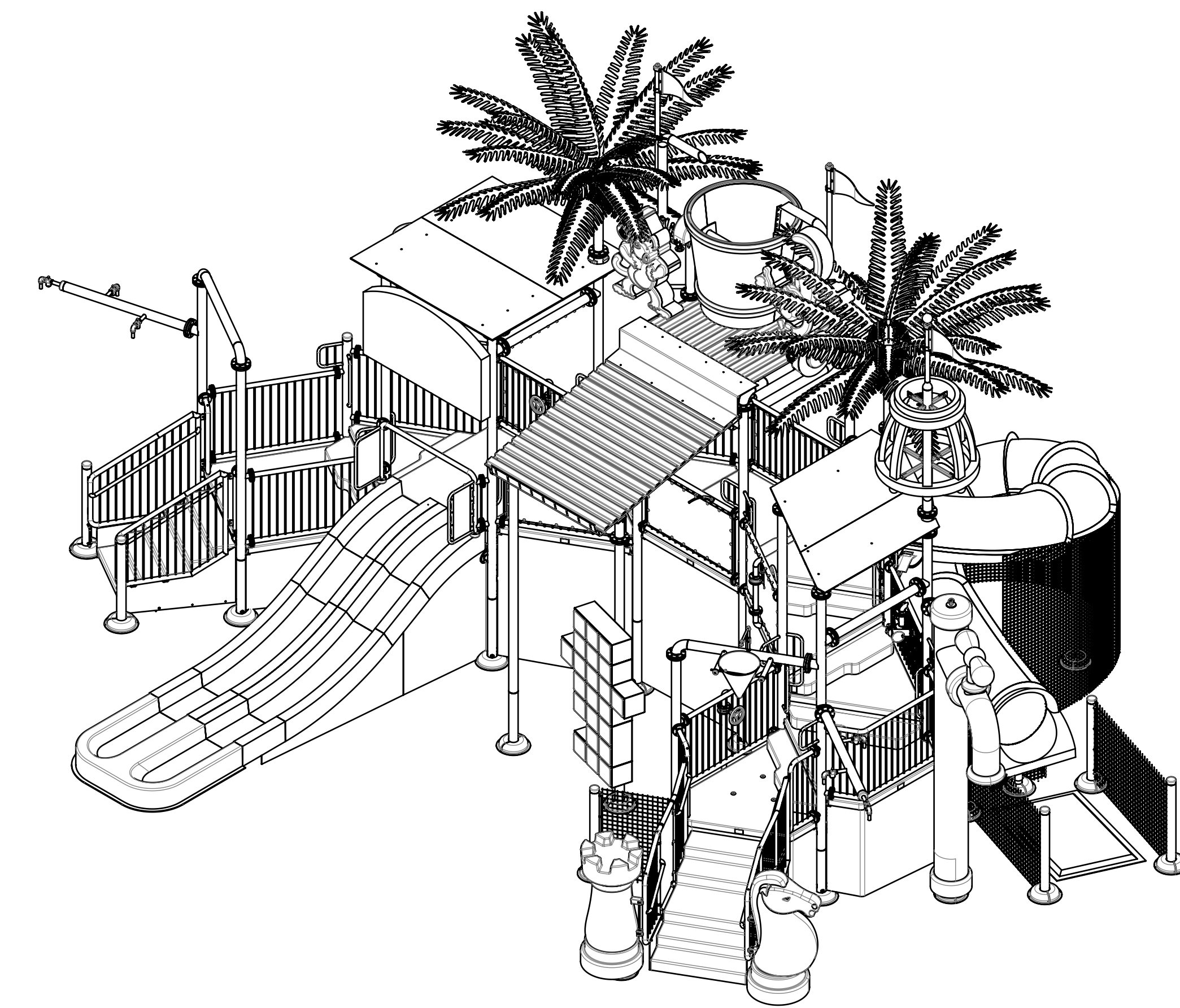
- STRUCTURAL STEEL SHALL BE IN ACCORDANCE WITH:**
- AISC - LRFD 3RD ED - AMERICAN INSTITUTE OF STEEL CONSTRUCTION
 - CAN/CSA S16-01 - LIMIT STATES DESIGN OF STEEL CONSTRUCTION
 - IBC 2006 - INTERNATIONAL BUILDING CODE
 - ASTM F708 - STANDARD PRACTICE FOR DESIGN AND INSTALLATION OF RIGID PIPE HANGERS
 - SHAPES, PLATES, AND BARS: ASTM A36 (FY=240 MPa, 36 ksi)
 - STEEL PIPES: ASTM A53 GRADE B (FY=240 MPa, 36 ksi)
 - HOLLOW STRUCTURAL SECTIONS: ASTM A500 GR B (FY=58 MPa, 46 ksi)
 - STRUCTURAL BOLTS GALVANIZED GRADE A325 OR STAINLESS STEEL GRADE 18-8 UNLESS NOTED OTHERWISE
 - STEEL DESIGN SHALL BE IN ACCORDANCE WITH ASTM A385 - STANDARD PRACTICE FOR PROVIDING HIGH-QUALITY ZINC COATINGS (HOT-DIP)
 - ALL STEEL SHALL BE HOT-DIP GALVANIZED IN ACCORDANCE WITH ASTM A123 - STANDARD SPECIFICATION FOR ZINC (HOT-DIP GALVANIZED) COATINGS ON IRON AND STEEL PRODUCTS.
 - ALL DAMAGED AREAS OF GALVANIZED COATINGS SHALL BE REPAIRED IN ACCORDANCE WITH ASTM A780/A780M-09 - STANDARD PRACTICE FOR REPAIR OF DAMAGED AND UNCOATED AREAS OF HOT-DIP GALVANIZED COATINGS

FOUNDATIONS:
FOUNDATION REQUIREMENTS FOR AP MODELS ARE LOCATED IN 328065 UNLESS NOTED OTHERWISE IN PROJECT DEFINITION PACKAGE OR STRUCTURAL ENGINEERING PACKAGE.

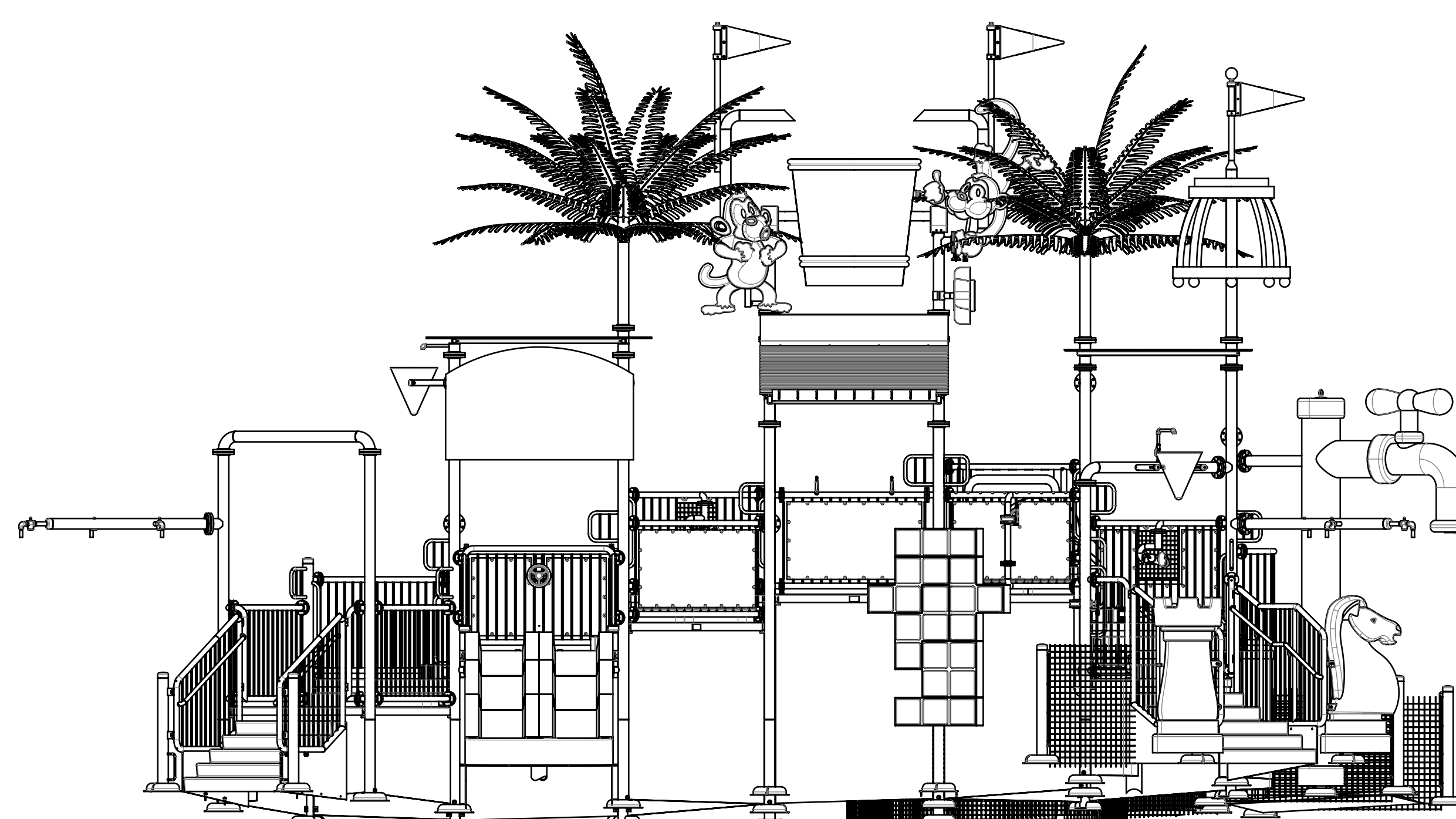
WWI WELDING STANDARDS:
CSA W47.1 - CERTIFICATION OF COMPANIES FOR FUSION WELDING OF STEEL, AND CSA W59 - WELDED STEEL CONSTRUCTION (METAL ARC WELDING) ARE THE AUTHORITATIVE DOCUMENTS THAT ESTABLISH THE MINIMUM SPECIFICATIONS FOR ALL WELDING PERFORMED BY, OR ON BEHALF OF WWI IN THE MANUFACTURE, ASSEMBLY, INSTALLATION AND REPAIR OF WWI PRODUCTS.
SUBCONTRACTORS ARE REQUIRED TO HAVE THEIR OWN CWB APPROVED WELD PROCEDURES IN PLACE FOR THE TYPES OF WELDS SHOWN ON WWI DRAWINGS. ALL WELDING SHALL BE CARRIED OUT BY WELDERS QUALIFIED UNDER CSA W47.1.
WHERE WWI DRAWINGS SPECIFY WELDING THAT EXCEEDS THE MINIMUM REQUIREMENTS OF THE CWB-APPROVED WELD PROCEDURES, THE DRAWINGS SHALL TAKE PRECEDENCE.



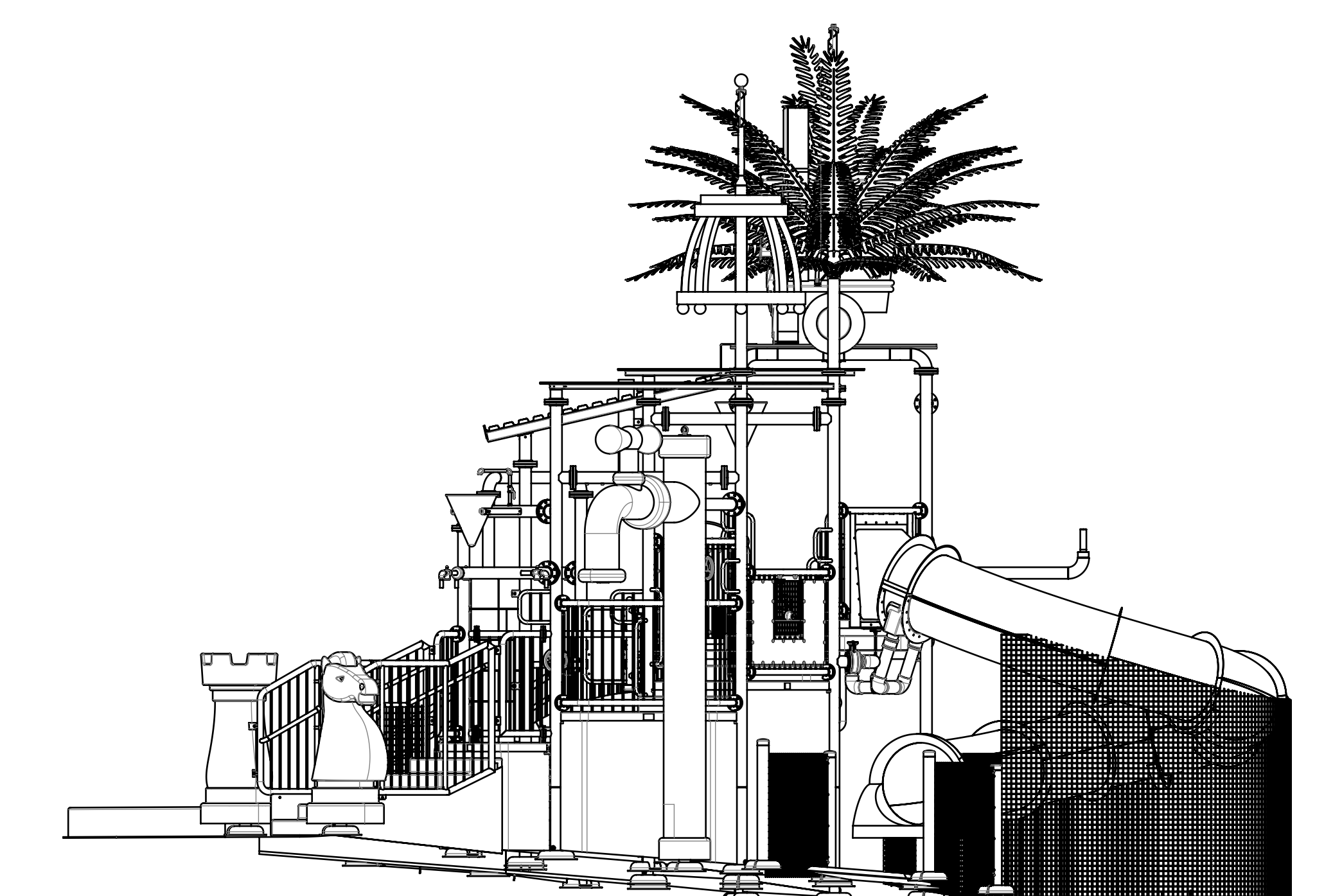
SCALE 1 : 48



SCALE 1 : 48



SCALE 1 : 48



SCALE 1 : 48

PRODUCT GENERAL SPECIFICATIONS		
BOUNDING UNIT SIZE L X W X H	[ft]	51.2 X 39.8 X 26.3
	[m]	15.62 X 12.21 X 8.01
UNIT WEIGHT/MASS	[lb]	20597
	[kg]	9342.6
POOL AREA	[ft ²]	5783
	[m ²]	537.3
ELEVATED PLAY AREA	[ft ²]	273
	[m ²]	25.4
CIRCULATION AREA	[ft ²]	39
	[m ²]	3.6
INSTANTANEOUS CAPACITY	STRUCTURE	49
	CIRCULATION	4
	TOTAL	372
INLET FLOW RATE	[GPM]	1300
	[L/s]	82
INLET PRESSURE (GAUGE)	[psi]	19.5
	[kPa]	134.4

FEATURE TABLE			
FEATURE	QTY	INTERACTIVE	
ARCHING, DOWN JETS	2	N	
BUBBLER JETS	2	Y	
HOSE JETS	2	Y	
INTERACTIVE ARCHING JET	1	Y	
MM SLIDE	1	N	
PIPE FALLS	2	N	
PULL ROPES	6	Y	
TIPPING CONE	2	N	
TIPPING BUCKET	1	N	
UMBRELLA JET	1	N	
WATER CURTAIN	1	N	
WATER GUN	2	Y	
WATER SLIDE	1	N	
TOTALS	24	13	

PERSONNEL REQUIREMENTS	
LIFE GUARDS	2
ATTENDANTS	1
TOTAL	3

SHEET INDEX	
SHEET 1	GENERAL NOTES, SHEET INDEX, PRODUCT TABLES
SHEET 2	BILL OF MATERIALS, TOP LEVEL
SHEET 3	DIMETRIC FRONT RIGHT VIEW
SHEET 4	DIMETRIC REAR RIGHT VIEW
SHEET 5	PLAN VIEW
SHEET 6	ELEVATION FRONT VIEW
SHEET 7	ELEVATION RIGHT VIEW
SHEET 8	ELEVATION REAR VIEW
SHEET 9	ELEVATION LEFT VIEW
SHEET 10	EXCLUDED PLAY AREA

SLIDE TABLE						
SLIDE	TYPE	DESCRIPTION	LENGTH		ELEVATION	
			[ft]	[m]	[ft]	[m]
A	32 AT	BODY SLIDE, ENCLOSED	42.0	12.8	7.0	2.1
B	MM	BODY SLIDE, MINI MULTI, 2 LANE	19.7	6.0	4.0	1.2

PROPRIETARY AND CONFIDENTIAL
COPYRIGHTED BY WHITEWATER WEST INDUSTRIES LTD., RICHMOND, BC, CANADA. ALL RIGHTS RESERVED. THIS DOCUMENT AND THE INFORMATION IT CONTAINS IS PROPRIETARY AND CONFIDENTIAL. IT IS PROVIDED BY COPYRIGHT LAW AND IS NOT TO BE REPRODUCED, TRANSMITTED OR OTHERWISE USED, IN WHOLE OR PART, WITHOUT THE EXPRESSED WRITTEN PERMISSION OF WHITEWATER WEST INDUSTRIES LTD.

UNLESS OTHERWISE SPECIFIED:
- ALL DIMENSIONS ARE IN FEET AND INCHES
- DIMENSIONS IN BRACKETS ARE IN METERS
- ALL DIMENSIONS FOR INFORMATION PURPOSES ONLY

WHITEWATER THE Waterpark Company
7670 Markham Way, Richmond, BC, Canada V6V 1J7
PH: (604) 273-1088 FAX: (604) 273-6918 WWW.WHITEWATERWEST.COM

TITLE: **PRODUCT, AQUAPLAY, APC 700TB**

DESIGNED BY: SW DATE: 06-JAN-2015
DRAWN BY: BE DATE: 06-JAN-2015
CHECKED BY: BT DATE: 25-FEB-2015
APPROVED BY: LK DATE: 26-FEB-2015

PDM MAINTAINED DATA: CHANGES SHALL BE RECORDED BY THE DESIGN AUTHORITY

THIRD ANGLE PROJECTION

SCALE: 1:20 CAD REFERENCE: 358705.SLDASM SHEET: 1 OF 10

REV. DESCRIPTION EC-ID MODIFIED BY APPROVAL DATE APPROVED BY

REV.	DESCRIPTION	EC-ID	MODIFIED BY	APPROVAL DATE	APPROVED BY
A.1	TETRIS BLOCK DESIGN CHANGE	-	AB	14-APR-2015	LK

BILL OF MATERIALS - TOP LEVEL

ITEM	ID	QTY	DESCRIPTION
1	305906-03	2	ASSY, FEATURE, PULL ROPE, 77 1/8 LG X 3 ROPES
2	362000	1	ASSY, FEATURE, TIPPING BUCKET, 1200 L, PIONEER PARK THM
3	312824-02	1	ASSY, FEATURE, UMBRELLA JET, 312824 SERIES
4	361905	1	ASSY, FLAT ROOF, PANEL, W PALM TREE
6	361926	1	ASSY, GAME-ON SIGN, THM
7	353880-02	1	ASSY, GDR, PFM, ARCHING JETS, VALVE OPERATED, 353880 SERIES
8	354048-02	2	ASSY, GDR, PFM, BUBBLER JETS, 354048 SERIES
9	353895-02	1	ASSY, GDR, PFM, HOSE JETS, 353895 SERIES
10	361902	1	ASSY, GDR, PFM, SLIDE ENTRY, MM, 63 3/8 X 25 1/2
11	353897-01	2	ASSY, GDR, PFM, WATER GUN, 353897 SERIES
14	306230-05	1	ASSY, MANF, BUBBLER JETS, 1 INLET X 3 OUTLETS, 306230 SERIES
15	325928-01	1	ASSY, MANF, BUBBLER JETS, 1 INLET X 4 OUTLETS, 325928 SERIES
17	326185-06	1	ASSY, PIPE HANGER, ADJ CLEVIS, NPS 2, TYPE 002 BKT MNT, 326185 SERIES
18	326185-12	1	ASSY, PIPE HANGER, ADJ CLEVIS, NPS 2, TYPE 002 BKT MNT, 326185 SERIES
19	326185-18	1	ASSY, PIPE HANGER, ADJ CLEVIS, NPS 2, TYPE 002 BKT MNT, 326185 SERIES
20	326185-24	1	ASSY, PIPE HANGER, ADJ CLEVIS, NPS 2, TYPE 002 BKT MNT, 326185 SERIES
21	326185-11	2	ASSY, PIPE HANGER, ADJ CLEVIS, NPS 2, TYPE 002 BKT MNT, 326185 SERIES
22	328313-08	1	ASSY, PIPE HANGER, ADJ CLEVIS, NPS 4, TYPE 001 BKT MNT, 328313 SERIES
23	329198-02	1	ASSY, PIPE SPOOL, NPS 4, FLG X FLG ON ELL, TIPPING CONE
24	305905	1	ASSY, PIPE SPOOL, NPS 4, FLG X FLG, TIPPING CONE, 58 3/4 LG
25	361874	1	ASSY, ROOF, FLAT, PARALLELOGRAM, PALM TREE, FLAG POST W/ BASKET, THM
26	362111	1	ASSY, TETRIS, THM
30	361826	1	BODY SLIDE, 32 AT, APC 700
31	306217-02	2	COMPOSITE PFM, AP, SQUARE, 4 X NPS 4 SP, 72 X 72 COC
32	306217-01	1	COMPOSITE PFM, AP, SQUARE, 4 X NPS 4 SP, 72 X 72 COC, BUBBLER JETS
33	312015-01	6	COMPOSITE PFM, AP, TRIANGULAR, 3 X NPS 4 SP
34	306257-01	1	COMPOSITE PFM, AP, TRIANGULAR, BALC, 3 X NPS 4 SP, 72 COC
35	306257-02	1	COMPOSITE PFM, AP, TRIANGULAR, BALC, 3 X NPS 4 SP, 72 COC, BUBBLER JETS
36	311909-04	5	COMPOSITE STEP, PFM, 1 STEP X 6 RISE, ADA, LH
37	311909-05	4	COMPOSITE STEP, PFM, 1 STEP X 6 RISE, ADA, RH
43	362038	2	MODULE, BANNER, GDR, PFM, ARCHING JETS, VALVE OPERATED, THM
44	362036	3	MODULE, BANNER, GDR, PFM, THM
45	362037	1	MODULE, BANNER, GDR, PFM, WATER GUN, THM
46	366496	1	MODULE, BARRIER, SLIDE EXIT, APC
47	321582-01	1	MODULE, BASE PLATE KIT, SLIDE SUPPORT, NPS 3
48	321582-01	2	MODULE, BASE PLATE KIT, SLIDE SUPPORT, NPS 3
49	311345-01	4	MODULE, BASE PLATE KIT, STANDPIPE, PADDED, NPS 4, FULL COVER
50	311345-02	12	MODULE, BASE PLATE KIT, STANDPIPE, PADDED, NPS 4, PARTIAL COVER
51	361810	1	MODULE, BODY SLIDE, MM, 2 LANE, 48 RISE, APC
52	361754	1	MODULE, DUMP ROOF, APC
53	354783-01	1	MODULE, FLOOR PAD, 48 X 72
54	354036	1	MODULE, GDR, PFM, SLIDE ENTRY, CLOSED TOP, 61 3/4 X 38 3/4
55	363023	1	MODULE, NET BARRIER, STAIR
56	361828	1	MODULE, NET GROUP, BARRIER, SLIDE, APC 700
57	362100	1	MODULE, STAIR, 5 STEP, APC
58	361973	1	MODULE, STAIR, ADA, 5 STEP, OLR / CRR, THEMED, APC
59	362057	1	MODULE, STANDPIPE 14, NPS 4, FAUCET, THM
60	363017	1	PIPING ROUTE, BUBBLER JET FEED, APC 700
61	363027	1	PIPING ROUTE, BUBBLER JET FEED, APC 700
62	329135-03	1	PIPING ROUTE, SLIDE FEED, 32 AT
63	328218	1	PIPING ROUTE, SLIDE FEED, MM
64	330207	1	PIPING ROUTE, STANDPIPE FEED, AP 550
65	330211	1	PIPING ROUTE, STANDPIPE FEED, AP 550
66	330213	1	PIPING ROUTE, STANDPIPE FEED, AP 550
67	330215	1	PIPING ROUTE, STANDPIPE FEED, AP 550
68	330510	1	PIPING ROUTE, STANDPIPE FEED, AP 550
69	361998	1	PIPING ROUTE, STANDPIPE FEED, APC 700

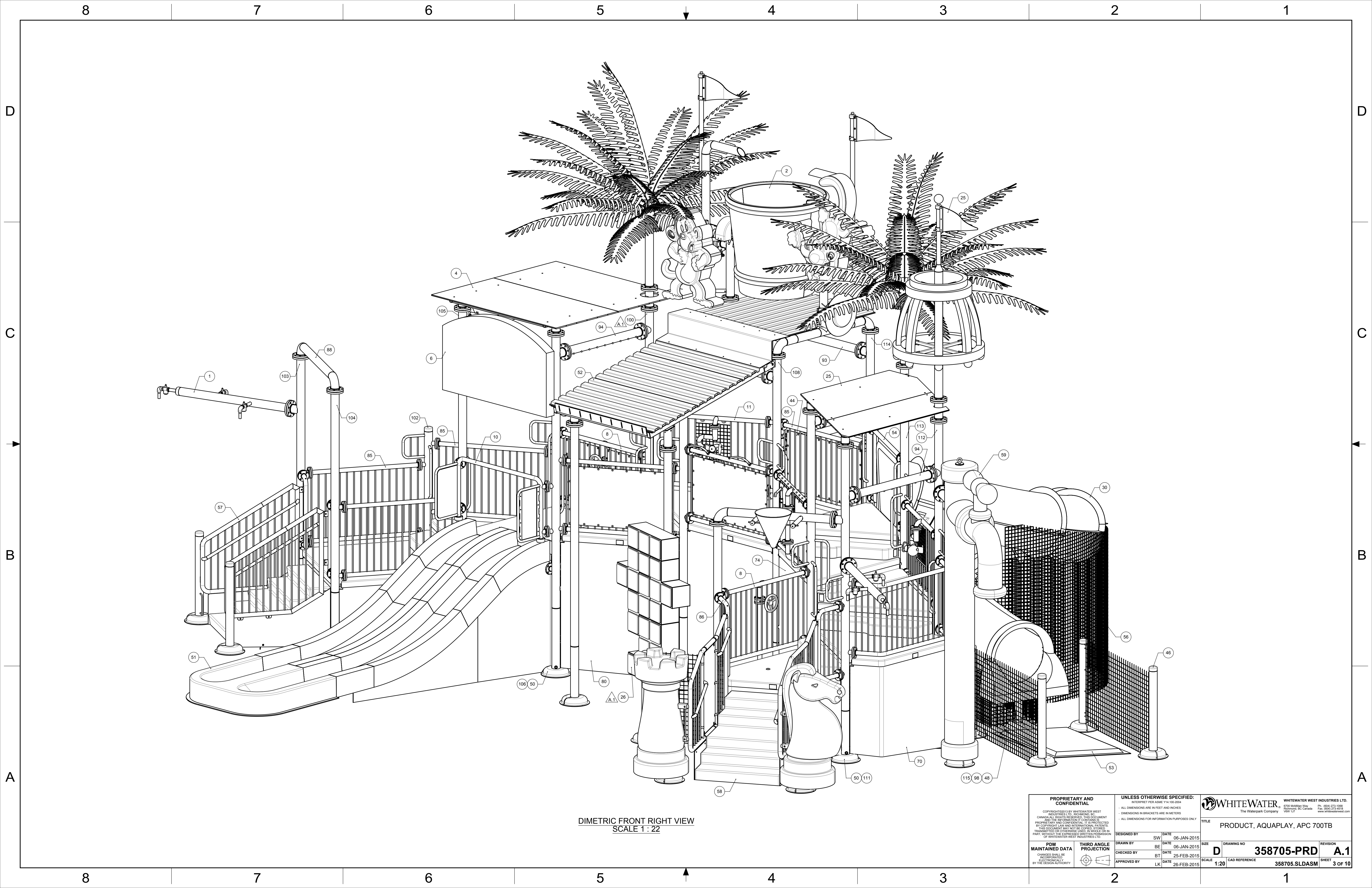
ITEM	ID	QTY	DESCRIPTION
70	361964	1	SKIRT, PFM, BALC, SLOPED, APC
71	361965	1	SKIRT, PFM, BALC, STAIR ACCESS, SLOPED APC
72	361987	1	SKIRT, PFM, NOTCHED, PIPE, BFV, RH, SLOPED, APC
73	361960	1	SKIRT, PFM, NOTCHED, PIPE, SLOPED, APC
74	361959	1	SKIRT, PFM, SLOPED, APC
75	361962	1	SKIRT, PFM, SLOPED, APC
76	361963	1	SKIRT, PFM, SLOPED, APC
77	361974	1	SKIRT, PFM, SLOPED, APC
78	361976	1	SKIRT, PFM, SLOPED, APC
79	361977	1	SKIRT, PFM, SLOPED, APC
80	361978	1	SKIRT, PFM, SLOPED, APC
81	361983	1	SKIRT, PFM, SLOPED, APC
82	361986	1	SKIRT, PFM, SLOPED, APC
83	361989	1	SKIRT, PFM, STAIR ACCESS, NOTCHED, BFV, LH, SLOPED, APC
84	353460-01	1	WLD, GDR, PFM, BALC, FEATURELESS, 353460 SERIES
85	353808-08	5	WLD, GDR, PFM, FEATURELESS, 353808 SERIES
86	358664	1	WLD, GDR, STAIR CONN, LH, 38 3/4 COC X 15 5/8 COF
87	358665	1	WLD, GDR, STAIR CONN, RH, 38 3/4 COC X 15 5/8 COF
88	330185	1	WLD, PIPE SPOOL, FLG ON ELL X FLG ON ELL, 72 COC
89	304477-02	1	WLD, PIPE SPOOL, FLG X FLG, MANF, 1 INLET X 4 OUTLETS, 55 LG
90	304477-04	1	WLD, PIPE SPOOL, FLG X FLG, MANF, 1 INLET X 6 OUTLETS, 55 LG
91	327759	1	WLD, PIPE SPOOL, MM SLIDE SUPPORT
92	304575	1	WLD, PIPE SPOOL, NPS 4, FLG X CE, PIPE FALL, 36 1/2 LG
93	304396-06	2	WLD, PIPE SPOOL, NPS 4, FLG X FLG, 304396 SERIES
94	304506-02	2	WLD, PIPE SPOOL, NPS 4, FLG X FLG, ARCHING JETS, 304506 SERIES
95	330193	1	WLD, PIPE SPOOL, NPS 4, FLG X FLG, WATER CURTAIN
96	361842	1	WLD, RAILING, STAIR CONN, ON FLG, LH, 38 3/4 COC X 5 1/4 COF
97	361844	1	WLD, RAILING, STAIR CONN, ON FLG, RH, 38 3/4 COC X 5 1/4 COF
98	321577	3	WLD, SLIDE SUPPORT, TELESCOPIC, BASE SOCKET
99	361713	1	WLD, STANDPIPE 1, NPS 4, APC 700
100	361749	1	WLD, STANDPIPE 2, NPS 4, APC 700
101	361752	1	WLD, STANDPIPE 3, NPS 4, APC 700
102	361811	1	WLD, STANDPIPE 4, NPS 4, APC 700
103	361651	1	WLD, STANDPIPE 5, NPS 4, APC 700
104	361820	1	WLD, STANDPIPE 6, NPS 4, APC 700
105	361823	1	WLD, STANDPIPE 7, NPS 4, APC 700
106	361747	1	WLD, STANDPIPE 8, NPS 4, APC 700
107	361711	1	WLD, STANDPIPE 9, NPS 4, APC 700
108	361704	1	WLD, STANDPIPE 10, NPS 4, APC 700
109	361722	1	WLD, STANDPIPE 11, NPS 4, APC 700
110	361725	1	WLD, STANDPIPE 12, NPS 4, APC 700
111	361739	1	WLD, STANDPIPE 13, NPS 4, APC 700
112	362080	1	WLD, STANDPIPE 15, NPS 4, APC 700
113	361728	1	WLD, STANDPIPE 16, NPS 4, APC 700
114	361709	1	WLD, STANDPIPE 17, NPS 4, APC 700
115	325576-055	1	WLD, YOKE SLEEVE, 32 AT, 23 7/8 INV EL X 1 DEG INV GRADE
116	325576-054	1	WLD, YOKE SLEEVE, 32 AT, 54 3/8 INV EL X 11 1/2 DEG INV GRADE
117	325576-053	1	WLD, YOKE SLEEVE, 32 AT, 74 3/4 INV EL X 13 1/2 DEG INV GRADE

NOTE 3

- NOTES:**
- THE FOLLOWING BOM ITEMS ARE BELOW DECK AND NOT VISIBLE IN ANY OF THE VIEWS IN THIS SHEET SET:
14-22, 60, 61, 63-69, 73, 89-91.
 - ITEMS IN PHANTOM LINES SHOWN ONLY FOR REFERENCE.
 - SEE 358705-SPL STANDPIPE COORDINATE TABLE FOR STANDPIPE MODULE REFERENCE.

PROPRIETARY AND CONFIDENTIAL <small>Copyright © 2015 by WhiteWater West Industries Ltd., Richmond BC, Canada. All rights reserved. This document and the information it contains is proprietary and confidential. It is protected by copyright law and international treaties. This document may not be copied, stored, transmitted or otherwise used, in whole or in part, without the expressed written permission of WhiteWater West Industries Ltd.</small>		UNLESS OTHERWISE SPECIFIED: - ALL DIMENSIONS ARE IN FEET AND INCHES - DIMENSIONS IN BRACKETS ARE IN METERS - ALL DIMENSIONS FOR INFORMATION PURPOSES ONLY		WHITEWATER The Waterpark Company 6700 MacMillan Way Richmond, BC Canada Ph: (604) 273-1088 Fax: (604) 273-6918 www.whitewaterwest.com	
TITLE PRODUCT, AQUAPLAY, APC 700TB		DESIGNED BY SW		DATE 06-JAN-2015	
DRAWN BY BE		DATE 06-JAN-2015		SIZE D	
CHECKED BY BT		DATE 25-FEB-2015		DRAWING NO 358705-PRD	
APPROVED BY LK		DATE 26-FEB-2015		REVISION A.1	
SCALE 1:20		CAD REFERENCE 358705.SLDASM		SHEET 2 OF 10	

REV.	DESCRIPTION	EC-ID	MODIFIED BY	APPROVAL DATE	APPROVED BY
A.1	TETRIS BLOCK DESIGN CHANGE	-	AB	14-APR-2015	LK



DIMETRIC FRONT RIGHT VIEW
SCALE 1 : 22

PROPRIETARY AND CONFIDENTIAL		UNLESS OTHERWISE SPECIFIED:		WHITEWATER <small>WHITEWATER WEST INDUSTRIES LTD.</small>	
<small>COPYRIGHT © 2015 BY WHITEWATER WEST INDUSTRIES LTD., RICHMOND, BC. CANADA. ALL RIGHTS RESERVED. THIS DOCUMENT AND THE INFORMATION IT CONTAINS IS PROPRIETARY AND CONFIDENTIAL. IT IS PROTECTED BY COPYRIGHT LAW AND INTERNATIONAL TREATIES. THIS DOCUMENT MAY NOT BE COPIED, STORED, TRANSMITTED OR OTHERWISE USED, IN WHOLE OR IN PART, WITHOUT THE EXPRESS WRITTEN PERMISSION OF WHITEWATER WEST INDUSTRIES LTD.</small>		<small>- ALL DIMENSIONS ARE IN FEET AND INCHES - DIMENSIONS IN BRACKETS ARE IN METERS - ALL DIMENSIONS FOR INFORMATION PURPOSES ONLY</small>		<small>8700 Markham Way Richmond, BC, Canada V6V 1J7 Ph: (604) 273-1098 Fax: (604) 273-6918 www.whitewaterwest.com</small>	
TITLE		DATE		REVISION	
PRODUCT, AQUAPLAY, APC 700TB		06-JAN-2015		A.1	
DRAWN BY		DATE		DRAWING NO	
BT		06-JAN-2015		358705-PRD	
CHECKED BY		DATE		SCALE	
BT		25-FEB-2015		1:20	
APPROVED BY		DATE		CAD REFERENCE	
LK		26-FEB-2015		358705.SLDASM	
PDM MAINTAINED DATA		THIRD ANGLE PROJECTION		SHEET	
<small>CHANGES SHALL BE INCORPORATED ELECTRONICALLY BY THE DESIGN AUTHORITY</small>				3 OF 10	

8

7

6

5

4

3

2

1

D

D

C

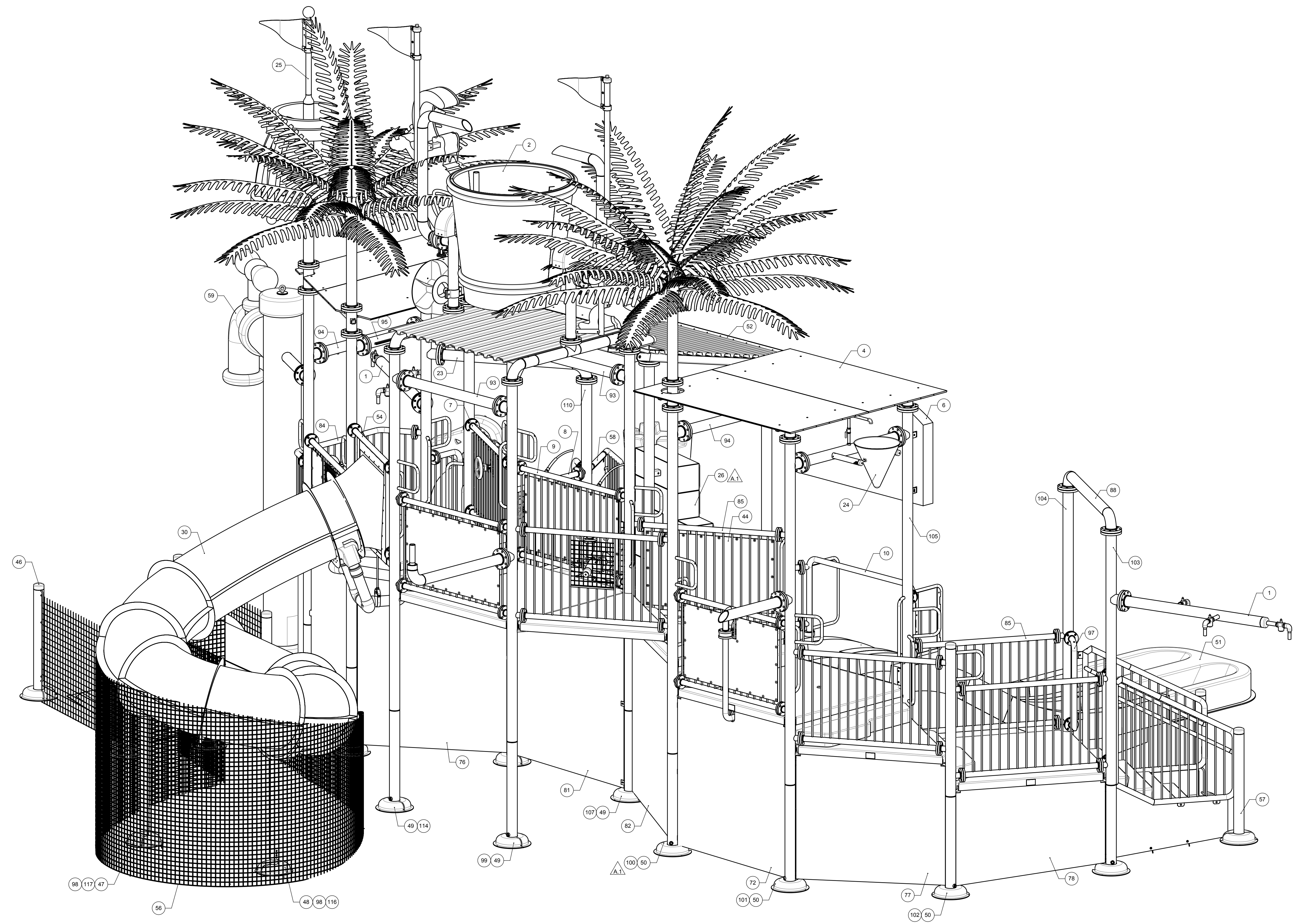
C

B

B

A

A



DIMETRIC REAR LEFT VIEW
 SCAL 1 : 22

PROPRIETARY AND CONFIDENTIAL <small> COPYRIGHT © 2015 BY WHITEWATER WEST INDUSTRIES LTD., RICHMOND, BC, CANADA. ALL RIGHTS RESERVED. THIS DOCUMENT AND THE INFORMATION IT CONTAINS IS PROPRIETARY AND CONFIDENTIAL. IT IS PROTECTED BY COPYRIGHT LAW AND INTERNATIONAL TREATIES. THIS DOCUMENT MAY NOT BE COPIED, STORED, TRANSMITTED OR OTHERWISE USED, IN WHOLE OR IN PART, WITHOUT THE EXPRESS WRITTEN PERMISSION OF WHITEWATER WEST INDUSTRIES LTD. </small>		UNLESS OTHERWISE SPECIFIED: <small> - ALL DIMENSIONS ARE IN FEET AND INCHES - DIMENSIONS IN BRACKETS ARE IN METERS - ALL DIMENSIONS FOR INFORMATION PURPOSES ONLY </small>		WHITEWATER <small>The Waterpark Company</small> 8700 MacMillan Way Richmond, BC, Canada Ph: (604) 273-1098 Fax: (604) 273-6918 WWW: WWW.WHITEWATERWEST.COM	
PDM MAINTAINED DATA <small> CHANGES SHALL BE INCORPORATED ELECTRONICALLY BY THE DESIGN AUTHORITY </small>		THIRD ANGLE PROJECTION 		WHITEWATER WEST INDUSTRIES LTD. PRODUCT, AQUAPLAY, APC 700TB	
DESIGNED BY: SW DATE: 06-JAN-2015	DRAWN BY: BE DATE: 06-JAN-2015	CHECKED BY: BT DATE: 25-FEB-2015	APPROVED BY: LK DATE: 26-FEB-2015	SCALE: 1:20 CAD REFERENCE: 358705.SLDASM	DRAWING NO: 358705-PRD REVISION: A.1 SHEET: 4 OF 10

8

7

6

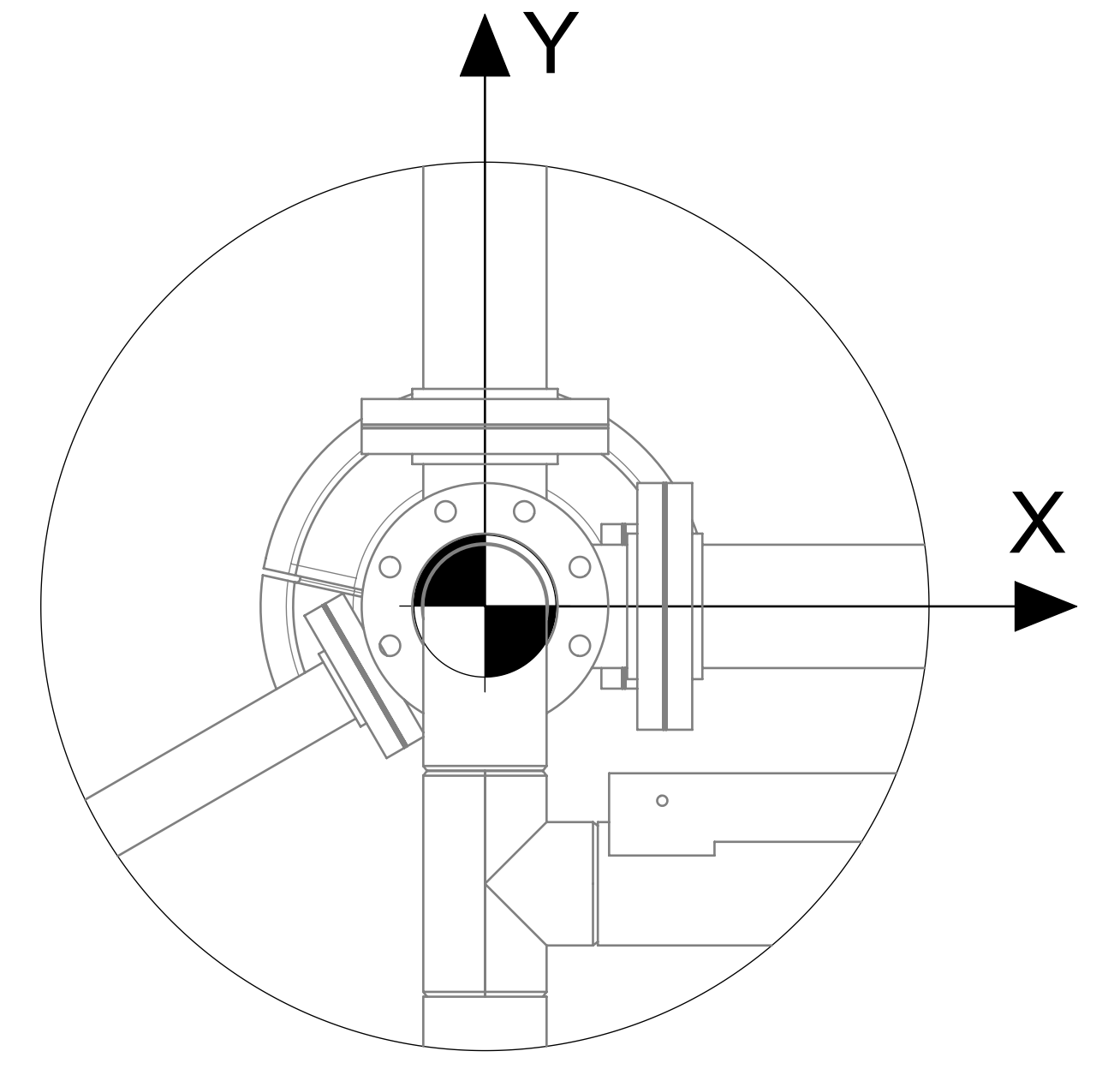
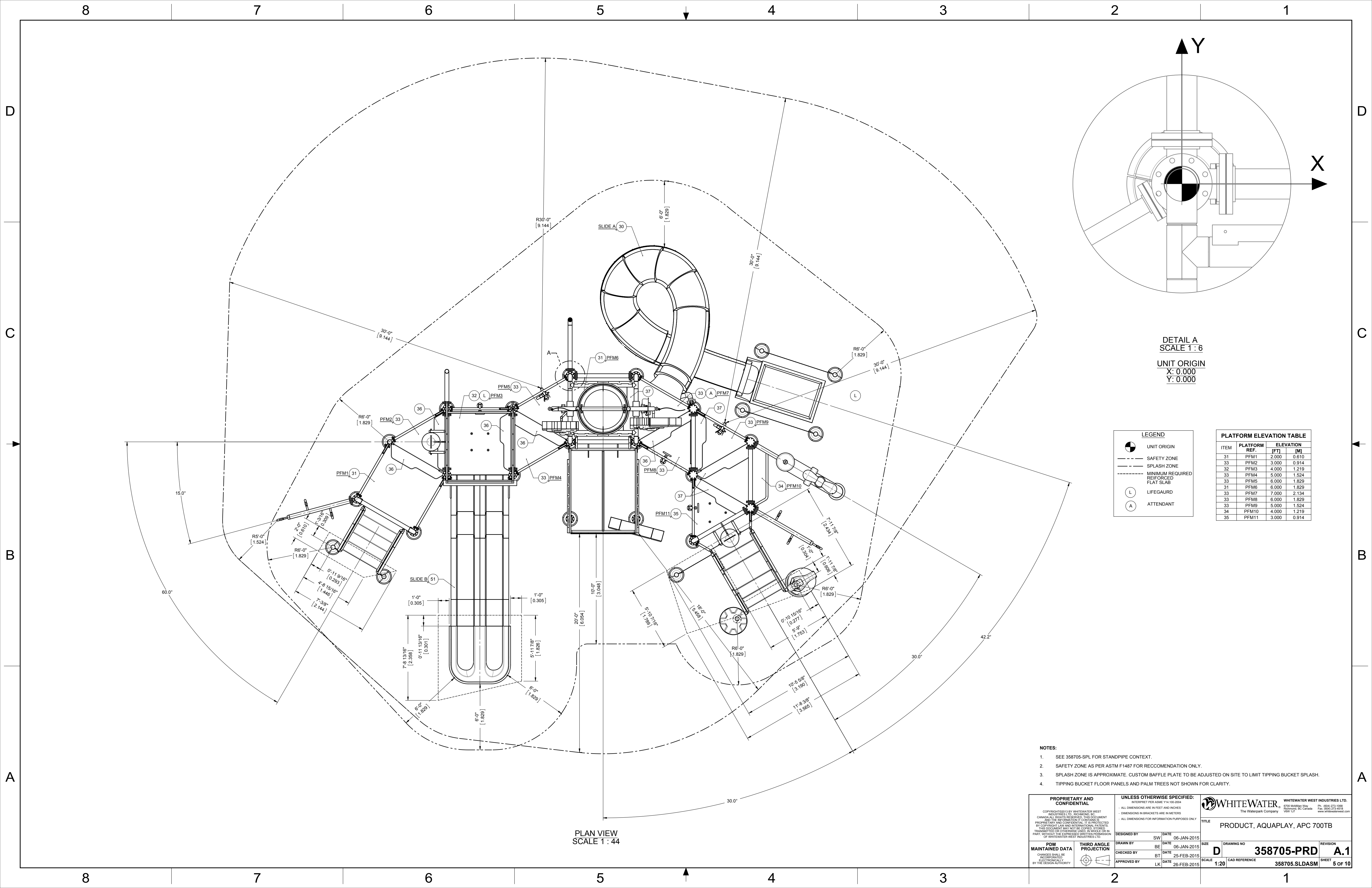
5

4

3

2

1



DETAIL A
SCALE 1:6
UNIT ORIGIN
X: 0.000
Y: 0.000

LEGEND

- UNIT ORIGIN
- SAFETY ZONE
- SPLASH ZONE
- MINIMUM REQUIRED REINFORCED FLAT SLAB
- L LIFEGUARD
- A ATTENDANT

PLATFORM ELEVATION TABLE

ITEM	PLATFORM REF.	ELEVATION [FT]	ELEVATION [M]
31	PFM1	2.000	0.610
33	PFM2	3.000	0.914
32	PFM3	4.000	1.219
33	PFM4	5.000	1.524
33	PFM5	6.000	1.829
31	PFM6	6.000	1.829
33	PFM7	7.000	2.134
33	PFM8	6.000	1.829
33	PFM9	5.000	1.524
34	PFM10	4.000	1.219
35	PFM11	3.000	0.914

- NOTES:**
- SEE 358705-SPL FOR STANDPIPE CONTEXT.
 - SAFETY ZONE AS PER ASTM F1487 FOR RECOMMENDATION ONLY.
 - SPLASH ZONE IS APPROXIMATE. CUSTOM BAFFLE PLATE TO BE ADJUSTED ON SITE TO LIMIT TIPPING BUCKET SPLASH.
 - TIPPING BUCKET FLOOR PANELS AND PALM TREES NOT SHOWN FOR CLARITY.

PLAN VIEW
SCALE 1:44

PROPRIETARY AND CONFIDENTIAL COPYRIGHT © 2015 BY WHITEWATER WEST INDUSTRIES LTD., RICHMOND, BC, CANADA. ALL RIGHTS RESERVED. THIS DOCUMENT AND THE INFORMATION IT CONTAINS IS PROPRIETARY AND CONFIDENTIAL. IT IS PROTECTED BY COPYRIGHT LAW AND INTERNATIONAL TREATIES. THIS DOCUMENT MAY NOT BE COPIED, STORED, TRANSMITTED OR OTHERWISE USED, IN WHOLE OR IN PART, WITHOUT THE EXPRESS WRITTEN PERMISSION OF WHITEWATER WEST INDUSTRIES LTD.		UNLESS OTHERWISE SPECIFIED: - ALL DIMENSIONS ARE IN FEET AND INCHES - DIMENSIONS IN BRACKETS ARE IN METERS - ALL DIMENSIONS FOR INFORMATION PURPOSES ONLY		WHITEWATER WEST INDUSTRIES LTD. The Waterpark Company 8700 Markham Way, Richmond, BC, Canada Ph: (604) 273-1088 Fax: (604) 273-6918 WWW.I2P.COM	
DESIGNED BY SW DATE 06-JAN-2015		DRAWING NO. 358705-PRD		REVISION A.1	
DRAWN BY BE DATE 06-JAN-2015		SCALE D 1:20		CAD REFERENCE 358705.SLDASM	
CHECKED BY BT DATE 25-FEB-2015		SHEET 5 OF 10			
APPROVED BY LK DATE 26-FEB-2015					

8

7

6

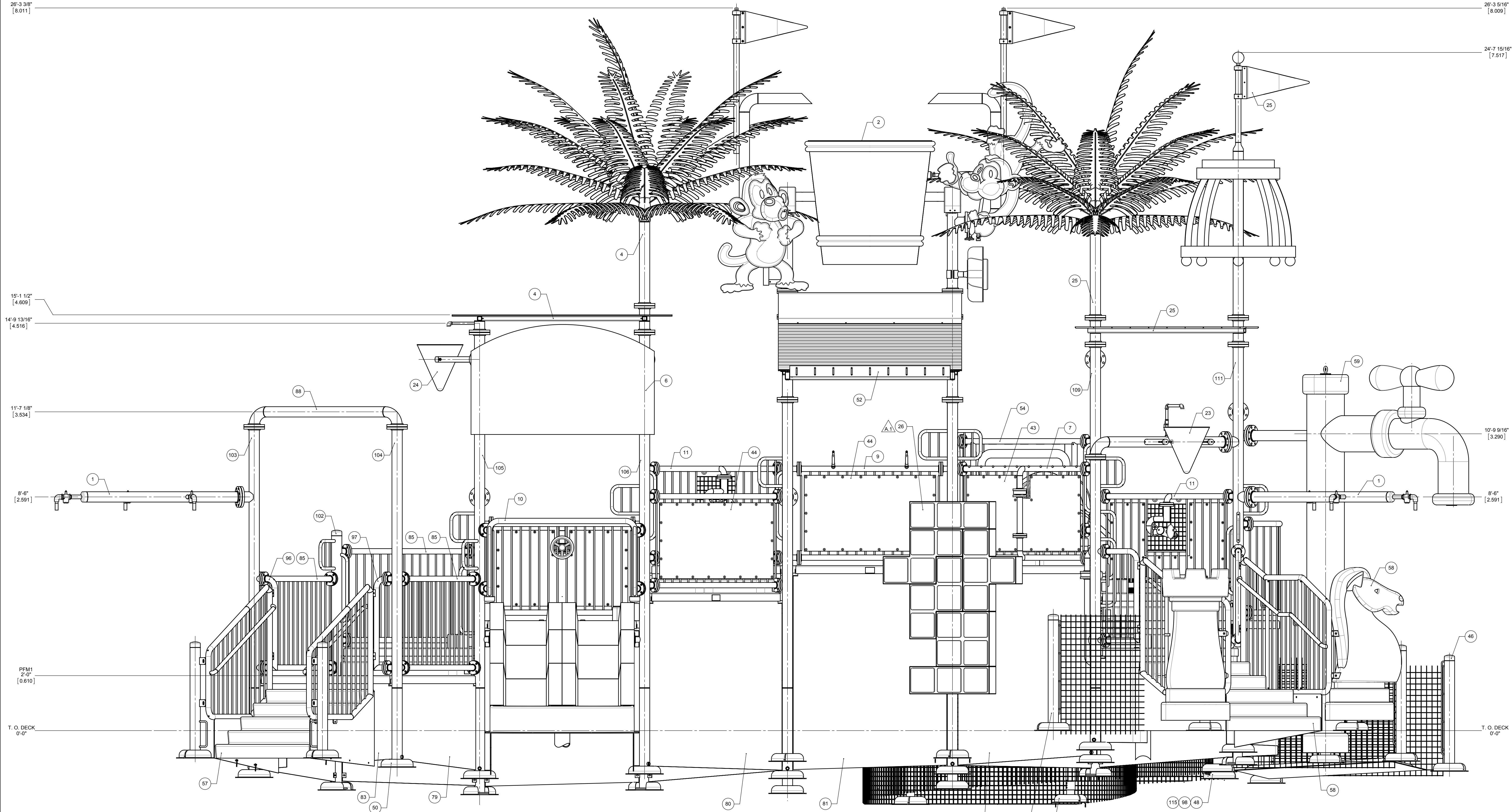
5

4

3

2

1



26'-3 3/8" [8.011]

26'-3 5/16" [8.009]

D

D

15'-1 1/2" [4.609]

14'-9 13/16" [4.516]

C

C

11'-7 1/8" [3.534]

B

B

PPM1 2'-0" [0.610]

T.O. DECK 0'-0"

T.O. DECK 0'-0"

A

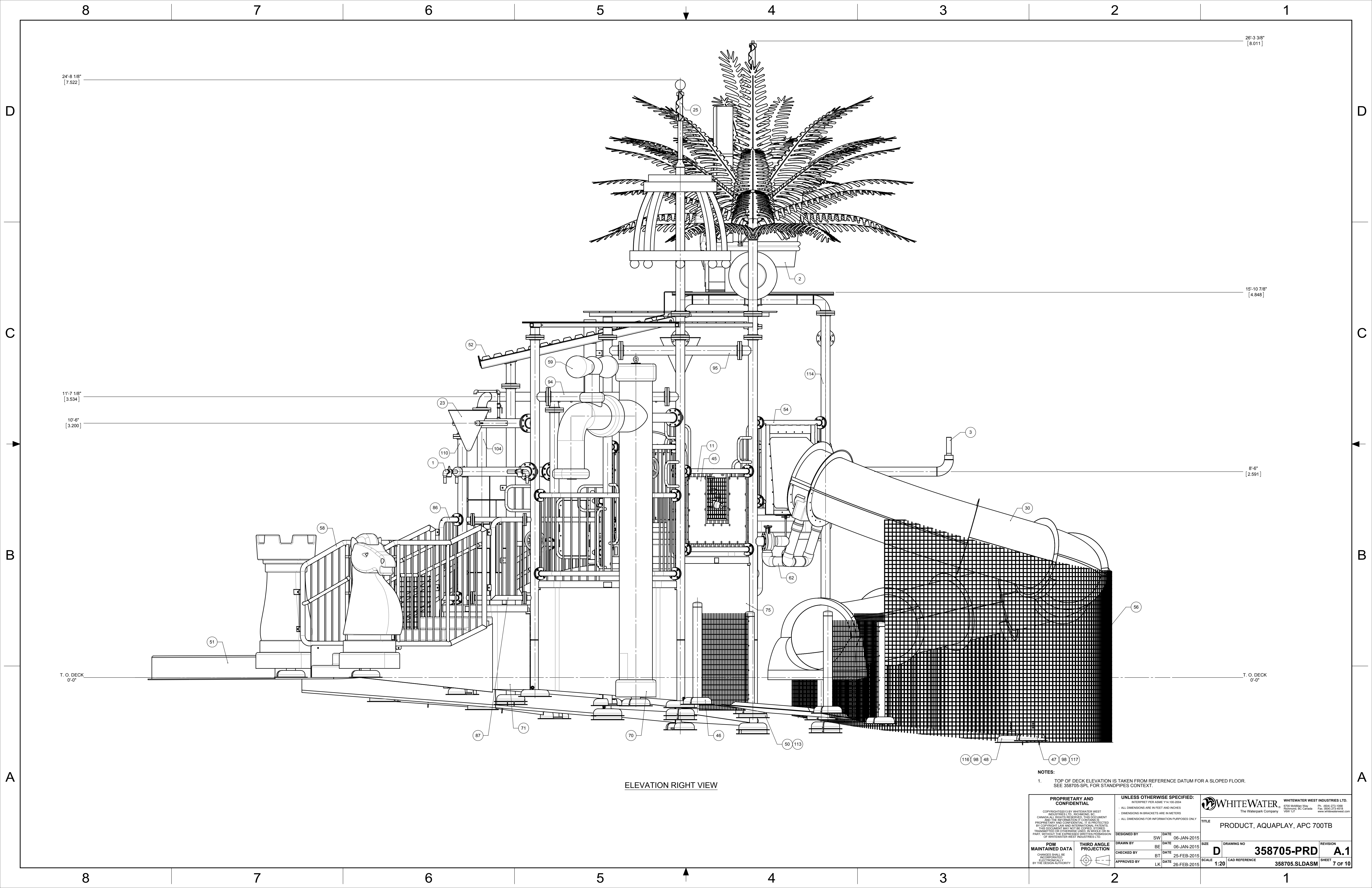
A

ELEVATION FRONT VIEW

NOTES:

- TOP OF DECK ELEVATION IS TAKEN FROM REFERENCE DATUM FOR A SLOPED FLOOR. SEE 358705-SPL FOR STANDPIPES CONTEXT.

PROPRIETARY AND CONFIDENTIAL		UNLESS OTHERWISE SPECIFIED:		WHITEWATER		WHITEWATER WEST INDUSTRIES LTD.	
COPYRIGHT © 2011 BY WHITEWATER WEST INDUSTRIES LTD., RICHMOND, BC, CANADA. ALL RIGHTS RESERVED. THIS DOCUMENT AND THE INFORMATION IT CONTAINS IS PROPRIETARY AND CONFIDENTIAL. IT IS PROTECTED BY COPYRIGHT LAW AND INTERNATIONAL TREATIES. THIS DOCUMENT MAY NOT BE COPIED, STORED, TRANSMITTED OR OTHERWISE USED, IN WHOLE OR IN PART, WITHOUT THE EXPRESSED WRITTEN PERMISSION OF WHITEWATER WEST INDUSTRIES LTD.		- ALL DIMENSIONS ARE IN FEET AND INCHES - DIMENSIONS IN BRACKETS ARE IN METERS - ALL DIMENSIONS FOR INFORMATION PURPOSES ONLY		8700 Maxwell Way Richmond, BC Canada V6V 1J7 Ph: (604) 273-1088 Fax: (604) 273-6918 www.whitewaterwest.com		The Waterpark Company	
PDM MAINTAINED DATA		THIRD ANGLE PROJECTION		TITLE		REVISION	
DESIGNED BY	DATE	DATE	DATE	PRODUCT, AQUAPLAY, APC 700TB			
SW	06-JAN-2015	BT	06-JAN-2015	SCALE		DRAWING NO	
CHECKED BY	DATE	BT	25-FEB-2015	1:20		358705-PRD	
APPROVED BY	DATE	LK	26-FEB-2015	CAD REFERENCE		358705.SLDASM	
				SHEET		6 OF 10	



24'-8 1/8"
[7.522]

26'-3 3/8"
[8.011]

11'-7 1/8"
[3.534]

15'-10 7/8"
[4.848]

10'-6"
[3.200]

8'-6"
[2.591]

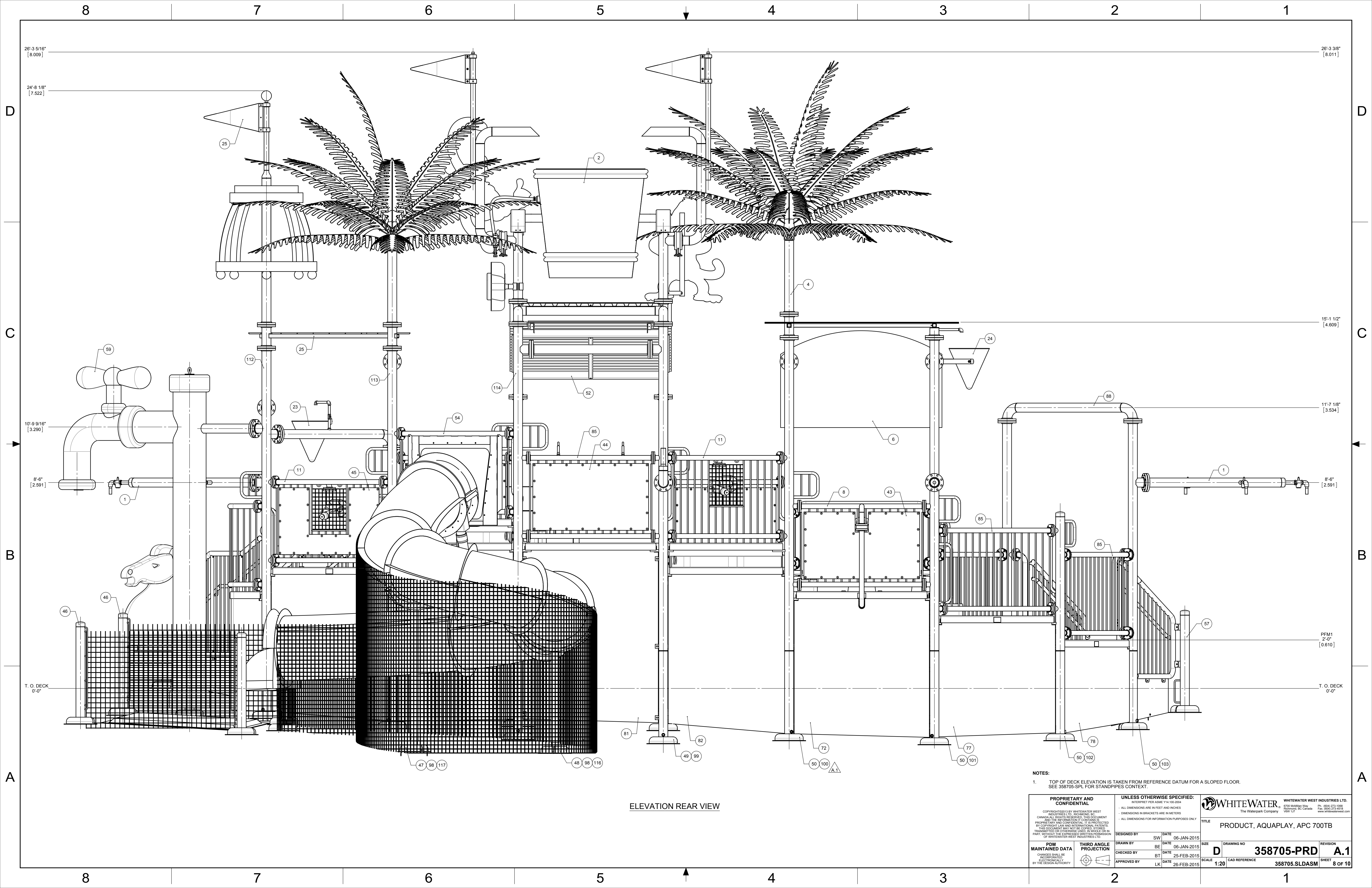
T. O. DECK
0'-0"

T. O. DECK
0'-0"

ELEVATION RIGHT VIEW

NOTES:
1. TOP OF DECK ELEVATION IS TAKEN FROM REFERENCE DATUM FOR A SLOPED FLOOR. SEE 358705-SPL FOR STANDPIPES CONTEXT.

PROPRIETARY AND CONFIDENTIAL COPYRIGHT © 2015 BY WHITEWATER WEST INDUSTRIES LTD., RICHMOND, BC, CANADA. ALL RIGHTS RESERVED. THIS DOCUMENT AND THE INFORMATION IT CONTAINS IS PROPRIETARY AND CONFIDENTIAL. IT IS PROTECTED BY COPYRIGHT LAW AND INTERNATIONAL TREATIES. THIS DOCUMENT MAY NOT BE COPIED, STORED, TRANSMITTED OR OTHERWISE USED, IN WHOLE OR IN PART, WITHOUT THE EXPRESS WRITTEN PERMISSION OF WHITEWATER WEST INDUSTRIES LTD.		UNLESS OTHERWISE SPECIFIED: - ALL DIMENSIONS ARE IN FEET AND INCHES - DIMENSIONS IN BRACKETS ARE IN METERS - ALL DIMENSIONS FOR INFORMATION PURPOSES ONLY		WHITEWATER The Waterpark Company WHITEWATER WEST INDUSTRIES LTD. 8700 Markham Way Richmond, BC Canada V6V 1J7 Ph: (604) 273-1088 Fax: (604) 273-6938 www.whitewaterwest.com	
PDM MAINTAINED DATA CHANGES SHALL BE INCORPORATED ELECTRONICALLY BY THE DESIGN AUTHORITY		THIRD ANGLE PROJECTION 		TITLE PRODUCT, AQUAPLAY, APC 700TB	
DESIGNED BY: SW DATE: 06-JAN-2015	DRAWN BY: BE DATE: 06-JAN-2015	CHECKED BY: BT DATE: 25-FEB-2015	APPROVED BY: LK DATE: 26-FEB-2015	SIZE: D DRAWING NO: 358705-PRD SCALE: 1:20 CAD REFERENCE: 358705.SLDASM	REVISION: A.1 SHEET: 7 OF 10



ELEVATION REAR VIEW

- NOTES:
- TOP OF DECK ELEVATION IS TAKEN FROM REFERENCE DATUM FOR A SLOPED FLOOR. SEE 358705-SPL FOR STANDPIPES CONTEXT.

PROPRIETARY AND CONFIDENTIAL COPYRIGHT © 2015 BY WHITEWATER WEST INDUSTRIES LTD., RICHMOND, BC, CANADA. ALL RIGHTS RESERVED. THIS DOCUMENT AND THE INFORMATION IT CONTAINS IS PROPRIETARY AND CONFIDENTIAL. IT IS PROTECTED BY COPYRIGHT LAW AND IS NOT TO BE REPRODUCED, COPIED, TRANSMITTED OR OTHERWISE USED, IN WHOLE OR IN PART, WITHOUT THE EXPRESS WRITTEN PERMISSION OF WHITEWATER WEST INDUSTRIES LTD.		UNLESS OTHERWISE SPECIFIED: - ALL DIMENSIONS ARE IN FEET AND INCHES - DIMENSIONS IN BRACKETS ARE IN METERS - ALL DIMENSIONS FOR INFORMATION PURPOSES ONLY		WHITEWATER The Waterpark Company WHITEWATER WEST INDUSTRIES LTD. 8700 Mainline Way Richmond, BC Canada V6V 1J7 Ph: (604) 273-1098 Fax: (604) 273-6918 www.whitewaterwest.com	
PDM MAINTAINED DATA CHANGES SHALL BE INCORPORATED ELECTRONICALLY BY THE DESIGN AUTHORITY		THIRD ANGLE PROJECTION 		TITLE PRODUCT, AQUAPLAY, APC 700TB	
DESIGNED BY: SW DATE: 06-JAN-2015	DRAWN BY: BE DATE: 06-JAN-2015	CHECKED BY: BT DATE: 25-FEB-2015	APPROVED BY: LK DATE: 26-FEB-2015	SCALE: 1:20 CAD REFERENCE: 358705.SLDASM	REVISION: A.1 SHEET: 8 OF 10

8

7

6

5

4

3

2

1

D

D

C

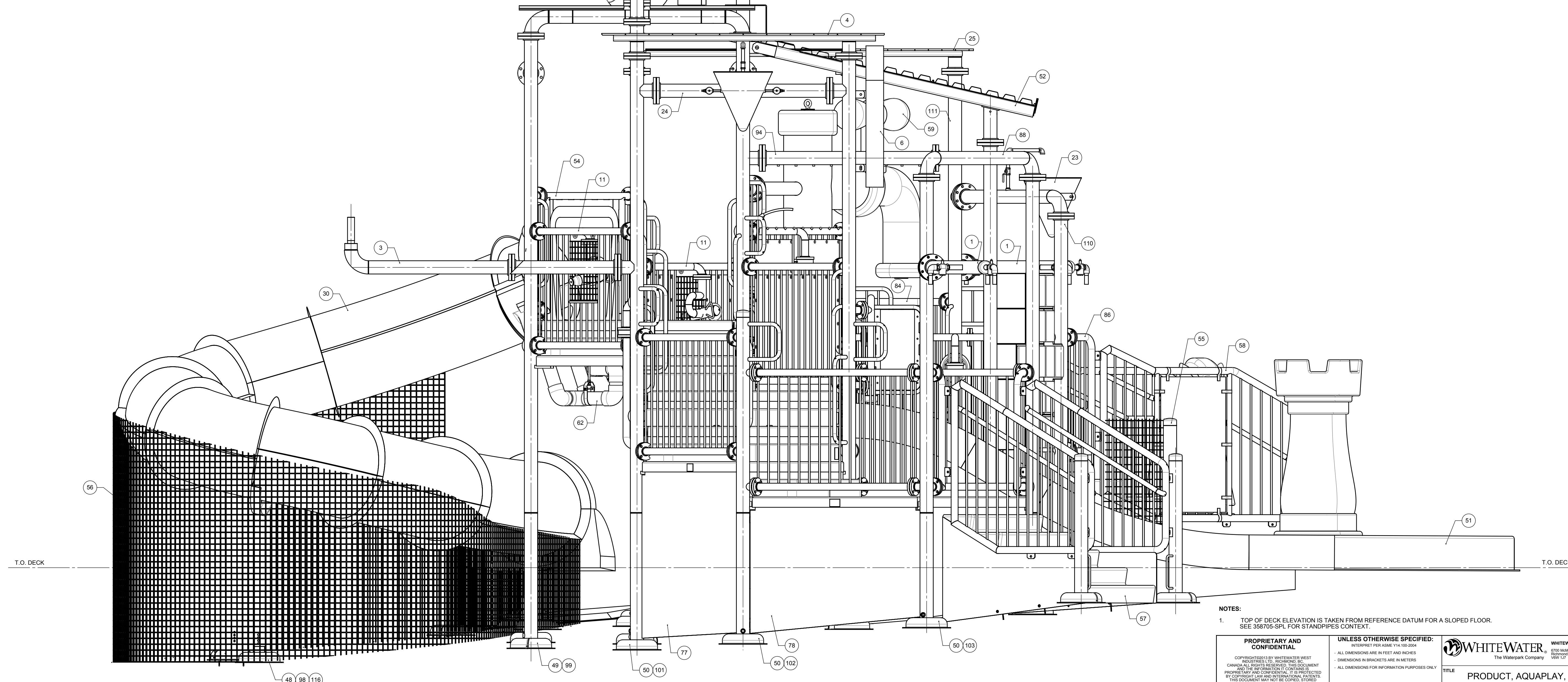
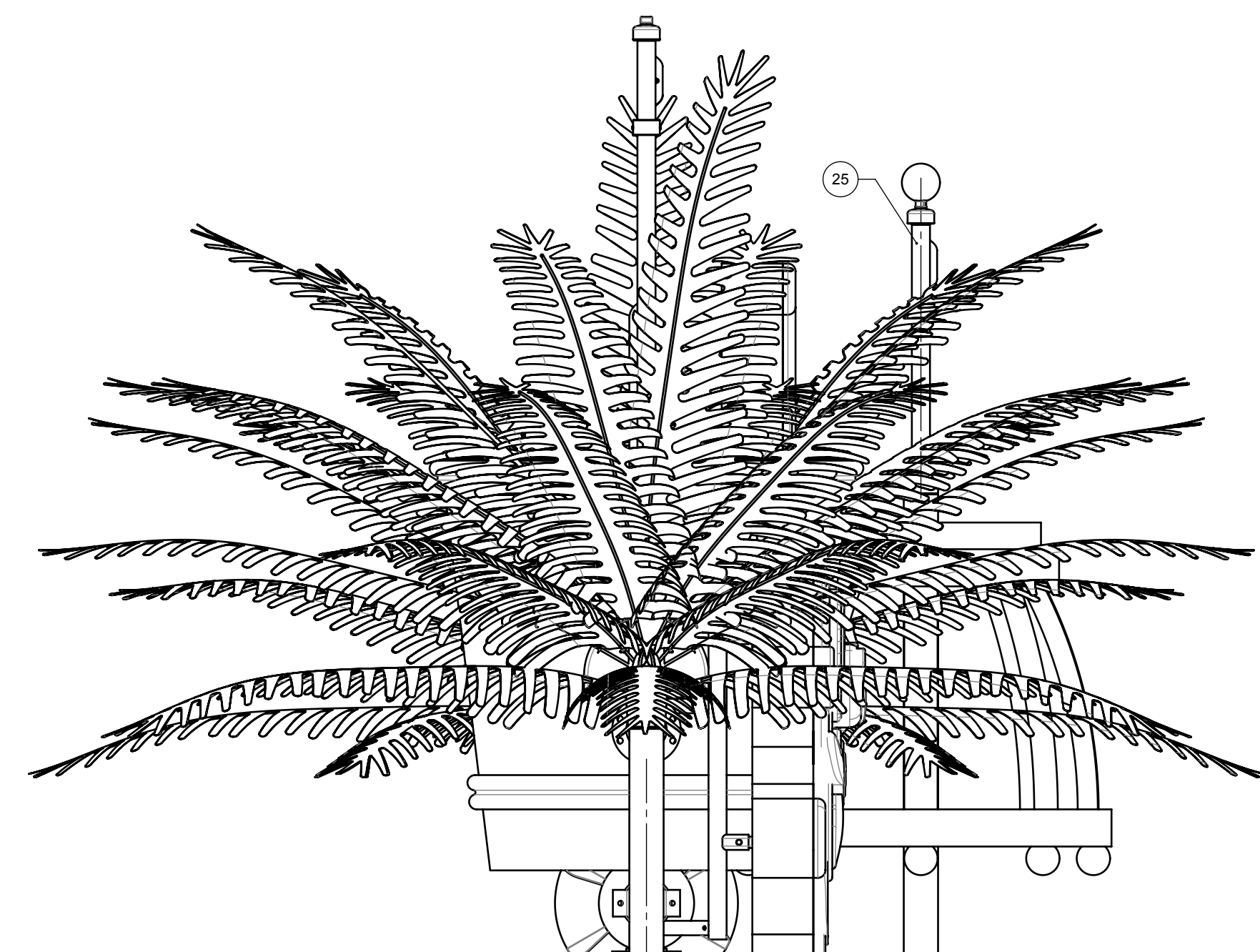
C

B

B

A

A



T.O. DECK

T.O. DECK

NOTES:
 1. TOP OF DECK ELEVATION IS TAKEN FROM REFERENCE DATUM FOR A SLOPED FLOOR. SEE 358705-SPL FOR STANDPIPES CONTEXT.

PROPRIETARY AND CONFIDENTIAL <small>COPYRIGHT © 2015 BY WHITEWATER WEST INDUSTRIES LTD., RICHMOND, BC. CANADA. ALL RIGHTS RESERVED. THIS DOCUMENT AND THE INFORMATION IT CONTAINS IS PROPRIETARY AND CONFIDENTIAL. IT IS PROTECTED BY COPYRIGHT LAW AND INTERNATIONAL PATENTS. THIS DOCUMENT MAY NOT BE COPIED, STORED, TRANSMITTED OR OTHERWISE USED, IN WHOLE OR IN PART, WITHOUT THE EXPRESS WRITTEN PERMISSION OF WHITEWATER WEST INDUSTRIES LTD.</small>		UNLESS OTHERWISE SPECIFIED: <small>- ALL DIMENSIONS ARE IN FEET AND INCHES - DIMENSIONS IN BRACKETS ARE IN METERS - ALL DIMENSIONS FOR INFORMATION PURPOSES ONLY</small>		WHITEWATER <small>The Waterpark Company</small>		<small>WHITEWATER WEST INDUSTRIES LTD. 6700 Mainline Way Richmond, BC Canada V6V 1J7 Ph: (604) 273-1088 Fax: (604) 273-6918 www.whitewaterwest.com</small>			
<small>CHANGES SHALL BE INCORPORATED ELECTRONICALLY BY THE DESIGN AUTHORITY</small>		<small>DESIGNED BY SW DATE 06-JAN-2015 DRAWN BY BE DATE 06-JAN-2015 CHECKED BY BT DATE 25-FEB-2015 APPROVED BY LK DATE 26-FEB-2015</small>		<small>THIRD ANGLE PROJECTION</small>		<small>TITLE PRODUCT, AQUAPLAY, APC 700TB DRAWING NO. 358705-PRD SCALE 1:20 CAD REFERENCE 358705.SLDASM</small>		<small>REVISION A.1 SHEET 9 OF 10</small>	

ELEVATION LEFT VIEW
 SCALE 1 : 18

8

7

6

5

4

3

2

1

8

7

6

5

4

3

2

1

D

D

C

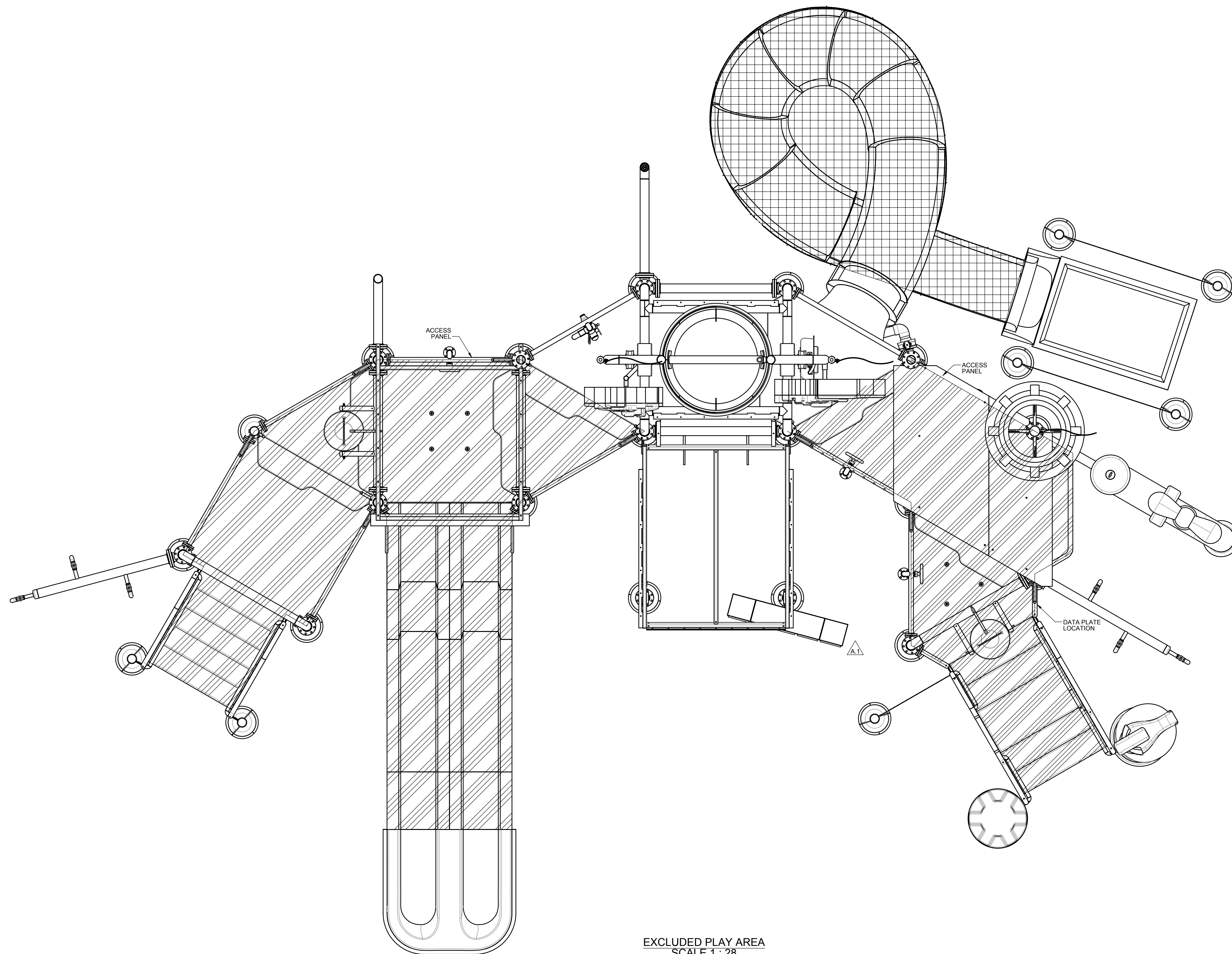
C

B

B

A

A



EXCLUDED PLAY AREA
SCALE 1 : 28

NOTES:

1. AREA UNDER HATCHED REGIONS (< 7 FT) IS RESTRICTED AND CORDONED OFF BY EITHER A SKIRT, NET OR COMBINATION THEREOF. SEE LEGEND FOR BOUNDING DEFINITION.
2. SKIRTS EXTEND APPROXIMATELY FROM BOTTOM OF DECK TO 3 IN FROM GRADE.
3. NETS EXTEND APPROXIMATELY FROM BOTTOM OF DECK TO GRADE.
4. DUMP ROOF OMITTED FOR CLARITY.
5. TIPPING BUCKET FLOOR PANELS AND PALM TREES NOT SHOWN FOR CLARITY.
6. SEE 358705-SNL FOR SKIRT AND NET LAYOUT. FOR INSTALLATION PURPOSES.

LEGEND	
	SKIRT BOUND REGION
	NET BOUND REGION

PROPRIETARY AND CONFIDENTIAL <small>COPYRIGHT © 2015 BY WHITEWATER WEST INDUSTRIES LTD., RICHMOND, BC, CANADA. ALL RIGHTS RESERVED. THIS DOCUMENT AND THE INFORMATION IT CONTAINS IS PROPRIETARY AND CONFIDENTIAL. IT IS PROTECTED BY COPYRIGHT LAW AND INTERNATIONAL TREATIES. THIS DOCUMENT MAY NOT BE COPIED, STORED, TRANSMITTED OR OTHERWISE USED, IN WHOLE OR IN PART, WITHOUT THE EXPRESS WRITTEN PERMISSION OF WHITEWATER WEST INDUSTRIES LTD.</small>		UNLESS OTHERWISE SPECIFIED: <small>- ALL DIMENSIONS ARE IN FEET AND INCHES - DIMENSIONS IN BRACKETS ARE IN METERS - ALL DIMENSIONS FOR INFORMATION PURPOSES ONLY</small>		<small>WHITEWATER WEST INDUSTRIES LTD. 6700 Mainline Way Richmond, BC Canada V6V 1Z9 P.O. Canada Ph: (604) 273-1088 Fax: (604) 273-6918 www.whitewaterwest.com</small>	
<small>DESIGNED BY</small> SW <small>DATE</small> 06-JAN-2015 <small>DRAWN BY</small> BE <small>DATE</small> 06-JAN-2015 <small>CHECKED BY</small> BT <small>DATE</small> 25-FEB-2015 <small>APPROVED BY</small> LK <small>DATE</small> 26-FEB-2015		<small>TITLE</small> PRODUCT, AQUAPLAY, APC 700TB		<small>SCALE</small> 1:20 <small>CAD REFERENCE</small> 358705.SLDASM <small>SHEET</small> 10 OF 10	
<small>PDM MAINTAINED DATA</small> <small>CHANGES SHALL BE INCORPORATED ELECTRONICALLY BY THE DESIGN AUTHORITY</small>		<small>THIRD ANGLE PROJECTION</small> 		<small>SIZE</small> D <small>DRAWING NO</small> 358705-PRD <small>REVISION</small> A.1	

8

7

6

5

4

3

2

1

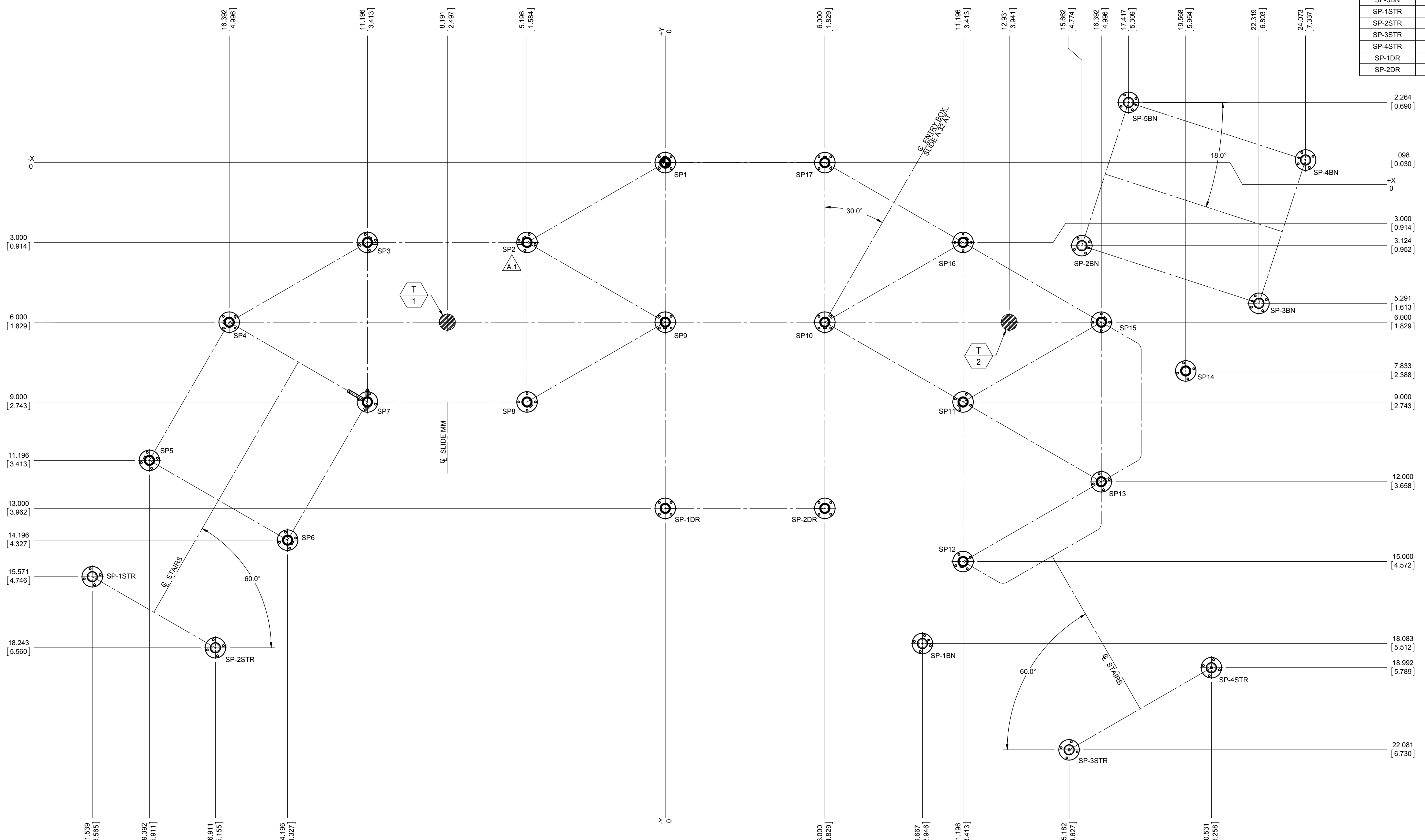
STANDPIPE COORDINATE TABLE										ANCHORAGE STD DETAIL	ESCUTCHEON CAP DETAIL	BP AZIMUTH (deg)
SP. REF.	SP MODULE ID (NOTE 2)	SP WLD ID	X-COORD [ft]	Y-COORD [ft]	Z-COORD [ft] NOTE 1	X-COORD [m]	Y-COORD [m]	Z-COORD [m] NOTE 1				
SP1	361712	361713	0.000	0.000	-2.250	0.000	0.000	-0.686	327807-STD	327807-STD/H	45.0	
SP2	361748	361749	-5.196	-3.000	-2.125	-1.584	-0.914	-0.648			75.0	
SP3	361750	361752	-11.196	-3.000	-2.292	-3.413	-0.914	-0.699			15.0	
SP4	361809	361811	-16.392	-6.000	-2.125	-4.996	-1.829	-0.648		45.0		
SP5	361653	361651	-19.392	-11.196	-1.667	-5.911	-3.413	-0.508		15.0		
SP6	361819	361820	-14.196	-14.196	-1.292	-4.327	-4.327	-0.394		15.0		
SP7	361822	361823	-11.196	-9.000	-1.708	-3.413	-2.743	-0.521		75.0		
SP8	361746	361747	-5.196	-9.000	-1.542	-1.584	-2.743	-0.470		0.0		
SP9	361710	361711	0.000	-6.000	-1.708	0.000	-1.829	-0.521		45.0		
SP10	361702	361704	6.000	-6.000	-1.542	1.829	-1.829	-0.470		45.0		
SP11	361720	361722	11.196	-9.000	-1.125	3.413	-2.743	-0.343		67.5		
SP12	361724	361725	11.196	-15.000	-0.667	3.413	-4.572	-0.203		30.0		
SP13	361738	361739	16.392	-12.000	-0.750	4.996	-3.658	-0.229		15.0		
SP14	362057	362060	19.567	-7.833	-1.135	5.964	-2.387	-0.346		15.0		
SP15	362079	362080	16.392	-6.000	-1.208	4.996	-1.829	-0.368		327807-STD/J	0.0	
SP16	361726	361728	11.196	-3.000	-1.625	3.413	-0.914	-0.495		327807-STD/J	0.0	
SP17	361706	361709	6.000	0.000	-2.083	1.829	0.000	-0.635		45.0		
SP-1BN	-	300461-01	9.667	-18.083	0.042	2.947	-5.512	0.013	75.0			
SP-2BN	-	300461-01	15.662	-3.124	-1.480	4.774	-0.952	-0.445	27.0			
SP-3BN	-	300461-01	22.319	-5.291	-1.074	6.803	-1.613	-0.327	27.0			
SP-4BN	-	300461-01	24.073	0.098	-1.439	7.337	0.030	-0.439	27.0			
SP-5BN	-	300461-01	17.417	2.264	-1.876	5.309	0.690	-0.572	27.0			
SP-1STR	-	305978	-21.539	-15.571	-0.958	-6.565	-4.746	-0.292	15.0			
SP-2STR	-	305978	-16.913	-18.243	-0.958	-5.155	-5.560	-0.292	15.0			
SP-3STR	-	361975	15.182	-22.081	-0.042	4.629	-6.730	-0.013	75.0			
SP-4STR	-	361975	20.531	-18.992	-0.042	6.258	-5.789	-0.013	75.0			
SP-1DR	-	320373-52	0.000	-13.000	-1.083	0.000	-3.962	-0.330	45.0			
SP-2DR	-	362097	6.000	-13.000	-0.958	1.829	-3.962	-0.292	45.0			

TIE-POINT COORDINATE TABLE				
TIE-POINT NO	X-COORD [ft]	Y-COORD [ft]	X-COORD [m]	Y-COORD [m]
1	-8.192	-6.000	-2.497	-1.829
2	12.930	-6.000	3.941	-1.829

BASE PLATE
ORIENTATION DIAGRAM
SCALE: NONE

LEGEND:

- UNIT ORIGIN
- STANDPIPE WITH EPOXY ANCHORS
- RISER TIE-POINT
- TIE-POINT MARKER



- NOTES:**
- STANDPIPE ELEVATIONS ARE TAKEN FROM REFERENCE DATUM AT TOP OF DECK TO UNDERSIDE OF BASE PLATE. ALL STANDPIPES HAVE AN ADDITIONAL 1/2 PAD.
 - SEE STANDPIPE MODULE DRAWINGS FOR HARDWARE REQUIREMENTS. FOR INSTALLATION PURPOSES.

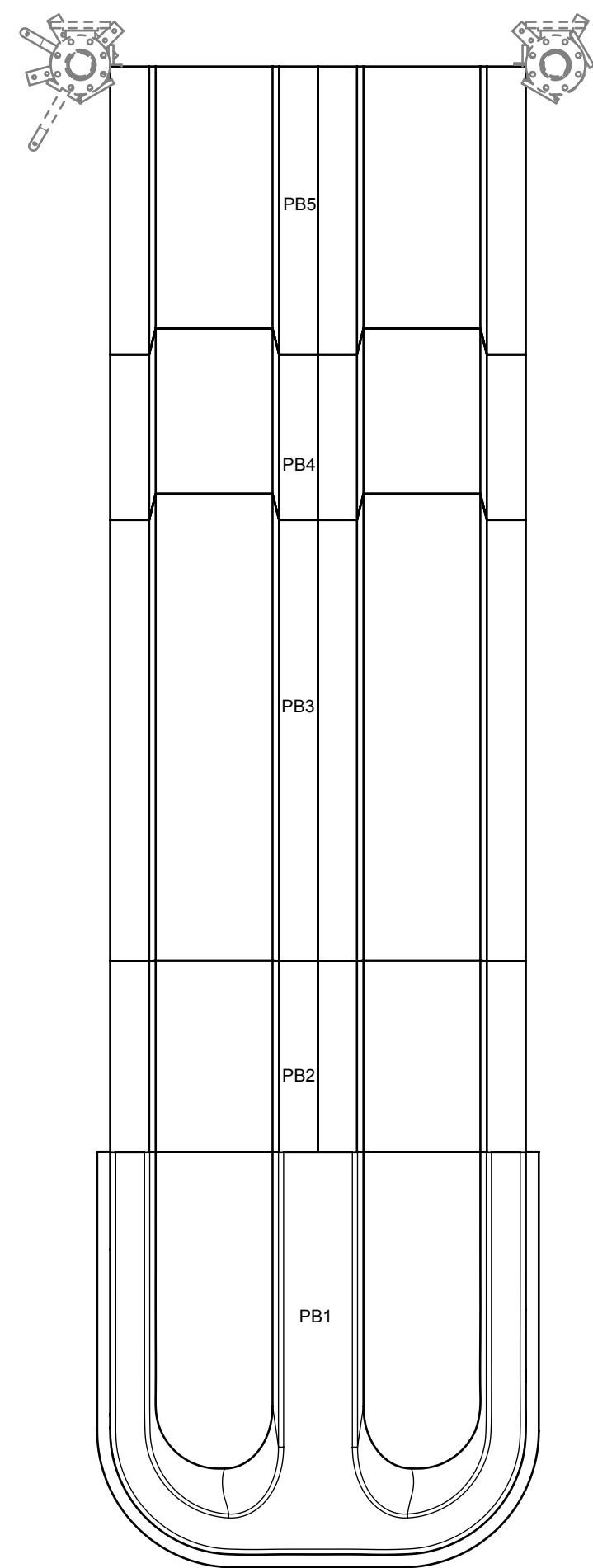
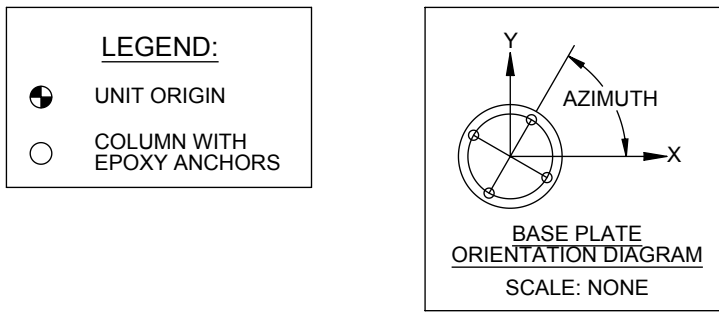
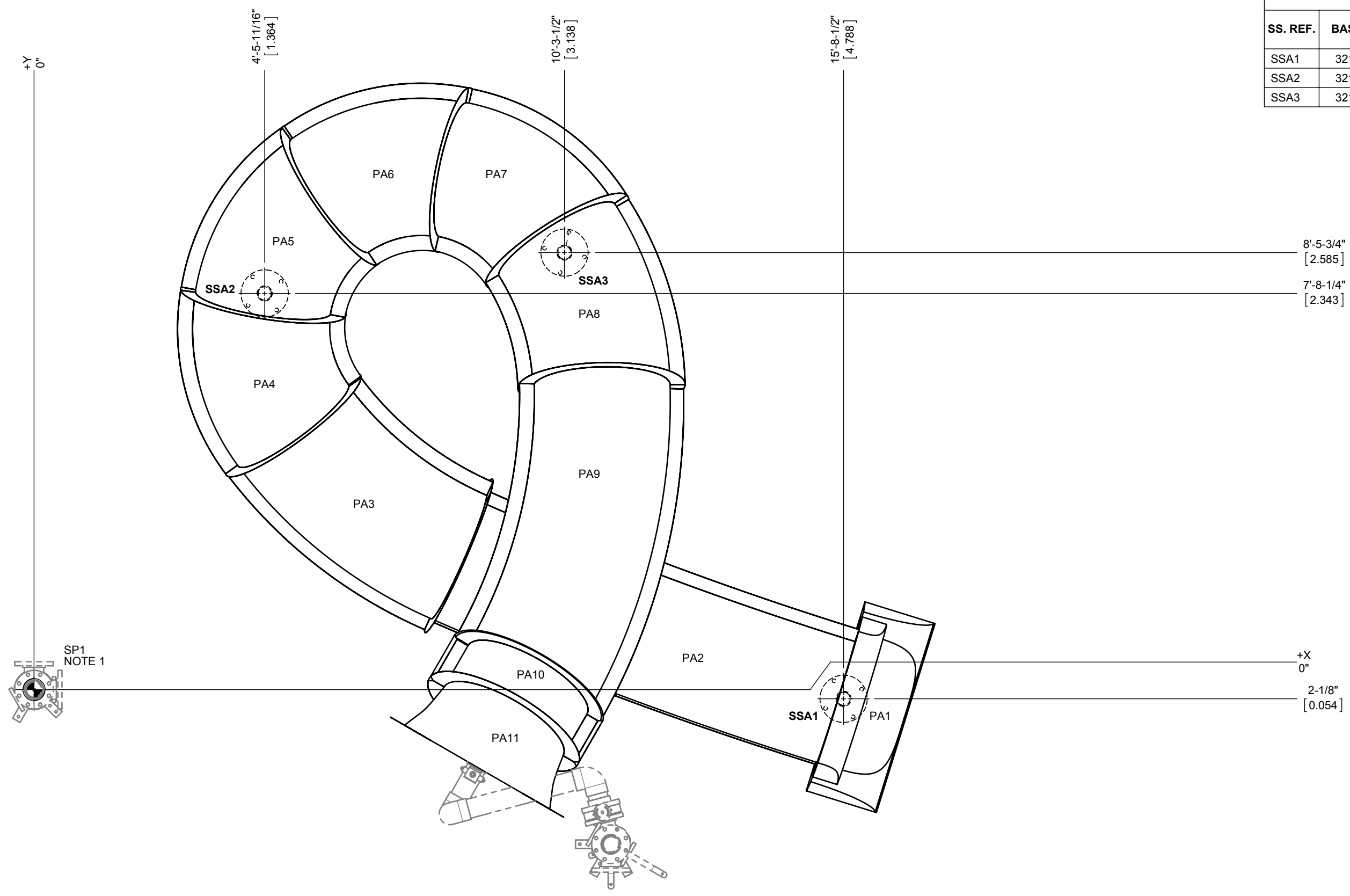
<p>PROPRIETARY AND CONFIDENTIAL</p> <p><small>COPYRIGHT © 2015 BY WHITEWATER WEST INDUSTRIES LTD., RICHMOND, BC, CANADA. ALL RIGHTS RESERVED. THIS DOCUMENT AND THE INFORMATION IT CONTAINS IS PROPRIETARY AND CONFIDENTIAL. IT IS PROTECTED BY COPYRIGHT LAW AND INTERNATIONAL TREATIES. THIS DOCUMENT MAY NOT BE COPIED, STORED, TRANSMITTED OR OTHERWISE USED, IN WHOLE OR IN PART, WITHOUT THE EXPRESS WRITTEN PERMISSION OF WHITEWATER WEST INDUSTRIES LTD.</small></p>	<p>UNLESS OTHERWISE SPECIFIED:</p> <p><small>ALL DIMENSIONS ARE IN FEET AND INCHES DIMENSIONS IN BRACKETS ARE IN METERS</small></p> <p>DECIMALS FRACTIONS ANGLES XXX ± 0.062 (0.002) ± 1/16 (0.002) ± 0.5°</p> <p>DO NOT SCALE DRAWING</p>	<p>WHITEWATER The Waterpark Company</p> <p><small>WHITEWATER WEST INDUSTRIES LTD. 6700 Mainline Way Richmond, BC, Canada V6V 1J7</small></p> <p>PH: (604) 273-1098 FAX: (604) 273-6918 WWW.WHITEWATERWEST.COM</p>
<p>TITLE STANDPIPE & TIE-POINT LAYOUT, PRODUCT, AQUAPLAY, APC 700TB</p>		
<p>PDM MAINTAINED DATA</p> <p>CHANGES SHALL BE INCORPORATED BY THE DESIGN AUTHORITY</p>	<p>THIRD ANGLE PROJECTION</p>	<p>DESIGNED BY: SW DATE: 06-JAN-2015</p> <p>DRAWN BY: BE DATE: 06-JAN-2015</p> <p>CHECKED BY: BT DATE: 25-FEB-2015</p> <p>APPROVED BY: LK DATE: 26-FEB-2015</p>
<p>SCALE: 1:28 CAD REFERENCE: 358705.SLDASM</p>		<p>SIZE: D DRAWING NO: 358705-SPL REVISION: A.1</p> <p>SHEET: 1 OF 1</p>

REV.	DESCRIPTION	EC-ID	MODIFIED BY	APPROVAL DATE	APPROVED BY
A.1	TETRIS BLOCK DESIGN CHANGE	-	AB	14-APR-2015	LK

PLAN VIEW

8 7 6 5 4 3 2 1

SLIDE SUPPORT COORDINATE TABLE											
SS. REF.	BASE ID	YOKE ID	X-COORD [ft]	Y-COORD [ft]	Z-COORD [ft]	X-COORD [m]	Y-COORD [m]	Z-COORD [m]	BP AZIMUTH [deg]	ANCHORAGE STD DWG	ESCUTCHEON CAP DET
SSA1	321577	325576-055	15.709	-0.177	-1.755	4.788	-0.054	-0.535	27.8		
SSA2	321577	325576-054	4.475	7.687	-2.687	1.364	2.343	-0.819	35.8	346771-STD	346771-STD/H
SSA3	321577	325576-053	10.295	8.481	-2.618	3.138	2.585	-0.798	77.4		



- NOTES:**
- SEE 358705-SPL FOR STANDPIPE CONTEXT.
 - SEE ASSOCIATED PROJECT SLIDE DIALING DRAWING FOR FOR SLIDE CONTEXT.
 - SEE 346771-STD FOR SLIDE SUPPORT ANCHORAGE DETAILS. FOR INSTALLATION PURPOSES.
 - SLIDE SUPPORT ELEVATIONS ARE TAKEN FROM REFERENCE DATUM AT TOP OF DECK TO UNDERSIDE OF BASEPLATE.
 - ITEMS IN PHANTOM LINES SHOWN ONLY FOR REFERENCE.

<p>PROPRIETARY AND CONFIDENTIAL</p> <p><small>Copyright © 2015 by WHITEWATER WEST INDUSTRIES LTD. RICHMOND BC. CANADA. ALL RIGHTS RESERVED. THIS DOCUMENT AND THE INFORMATION IT CONTAINS IS PROPRIETARY AND CONFIDENTIAL. IT IS PROTECTED BY COPYRIGHT LAW AND INTERNATIONAL TREATIES. THIS DOCUMENT MAY NOT BE COPIED, STORED, TRANSMITTED OR OTHERWISE USED, IN WHOLE OR IN PART, WITHOUT THE EXPRESSED WRITTEN PERMISSION OF WHITEWATER WEST INDUSTRIES LTD.</small></p>	<p>UNLESS OTHERWISE SPECIFIED:</p> <p><small>ALL DIMENSIONS ARE IN FEET AND INCHES DIMENSIONS IN BRACKETS ARE IN METERS</small></p> <p>DECIMALS FRACTIONS ANGLES XXX ± 0.062 (0.002) ± 1/16 (0.002) ± 0.5°</p>	<p>WHITEWATER WEST INDUSTRIES LTD. The Waterpark Company 8700 MacMillan Way Richmond, BC Canada V6V 1Z9 P: (604) 273-1098 F: (604) 273-6918 www.whitewaterwest.com</p>	<p>TITLE</p> <p>SLIDE SUPPORT LAYOUT, PRODUCT, AQUAPLAY, APC 700TB</p>	
			<p>DO NOT SCALE DRAWING</p> <p>DESIGNED BY SW DATE 06-JAN-2015 DRAWN BY BE DATE 06-JAN-2015 CHECKED BY BT DATE 25-FEB-2015 APPROVED BY LK DATE 26-FEB-2015</p>	

REV.	DESCRIPTION	EC-ID	MODIFIED BY	APPROVAL DATE	APPROVED BY
A.1	TETRIS BLOCK DESIGN CHANGE	-	AB	14-APR-2015	LK

8 7 6 5 4 3 2 1