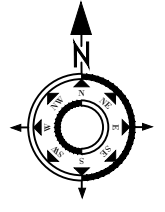


**NOTES:**



Not to Scale  
Created Date: 03/01/24



**SITE MAP**  
 Concrete Flatwork 2024  
 COMMERCE CITY  
 Department of Public Works  
 8602 Rosemary St.  
 Commerce City, CO 80022  
 www.c3gov.com  
 Tel: (303) 289-8150  
 Fax: (303) 289-8165

REVISIONS			
NO.	BY	DATE	DESCRIPTION
Contact:		COMMERCE CITY	
Phone:		303-289-8150	
Email:		@c3gov.com	

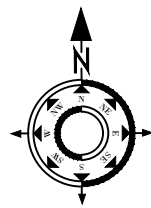




## 56th Ave Industrial Park Concrete

3. 56th Ave/Fairfax St NE corner 4' Sidewalk	5. 5025 E 56th Ave Curb & Gutter
6. 5599 Holly St Driveway	7. 5690 56th Ave, SE corner of drive, Ramp
8. 56th Ave/Fairfax St NE corner Ramp	9. 5605 56th Ave Traffic Control island
49. 5025 E 56th Ave 4' Sidewalk	

**NOTES:**



Not to Scale

Created Date: 03/01/24



### 56th Ave Industrial Park

Concrete Flatwork 2024  
 COMMERCE CITY  
 Department of Public Works  
 8602 Rosemary St.  
 Commerce City, CO 80022  
[www.c3gov.com](http://www.c3gov.com)  
 Tel: (303) 289-8150  
 Fax: (303) 289-8165

### REVISIONS

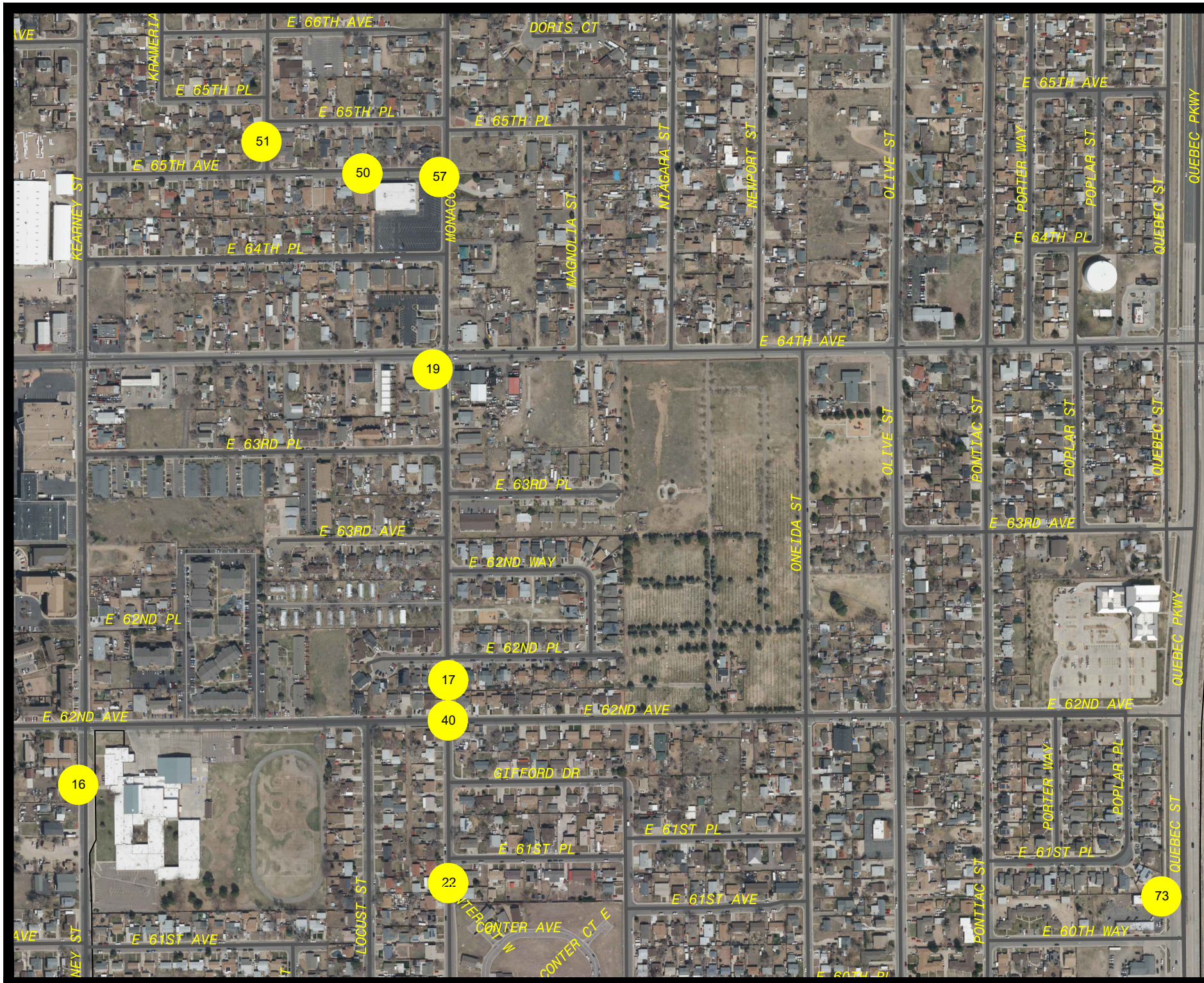
NO.	BY	DATE	DESCRIPTION

Contact:	COMMERCE CITY
Phone:	303-289-8150
Email:	@c3gov.com



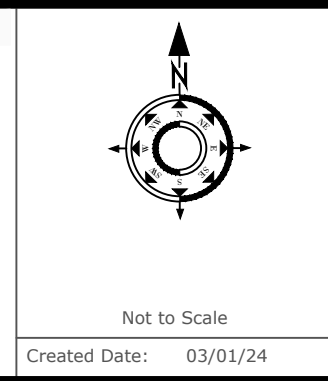






Monaco Concrete	
16. 6161 Kearney St 6.5' Combo (Curb, Gutter, Sidewalk)	17. Monaco St S of 62nd Pl west side Inlet curb and gutter
19. 64th Ave & Monaco St SW corner Ramp	22. 6100 Monaco Street 5.5' Combo (Curb, Gutter, Sidewalk)
40. 62nd Ave & Monaco St SE corner 4' Sidewalk	50. 6300 65th Ave 4.5' Combo (Curb, Gutter, Sidewalk)
51. 6280 E 65th Pl west side on Leyden St 5.5' Combo (Curb, Gutter, Sidewalk)	57. 65th Ave & Monaco St SW corner Ramp
73. 6075 Quebec St 8' Sidewalk	

**NOTES:**



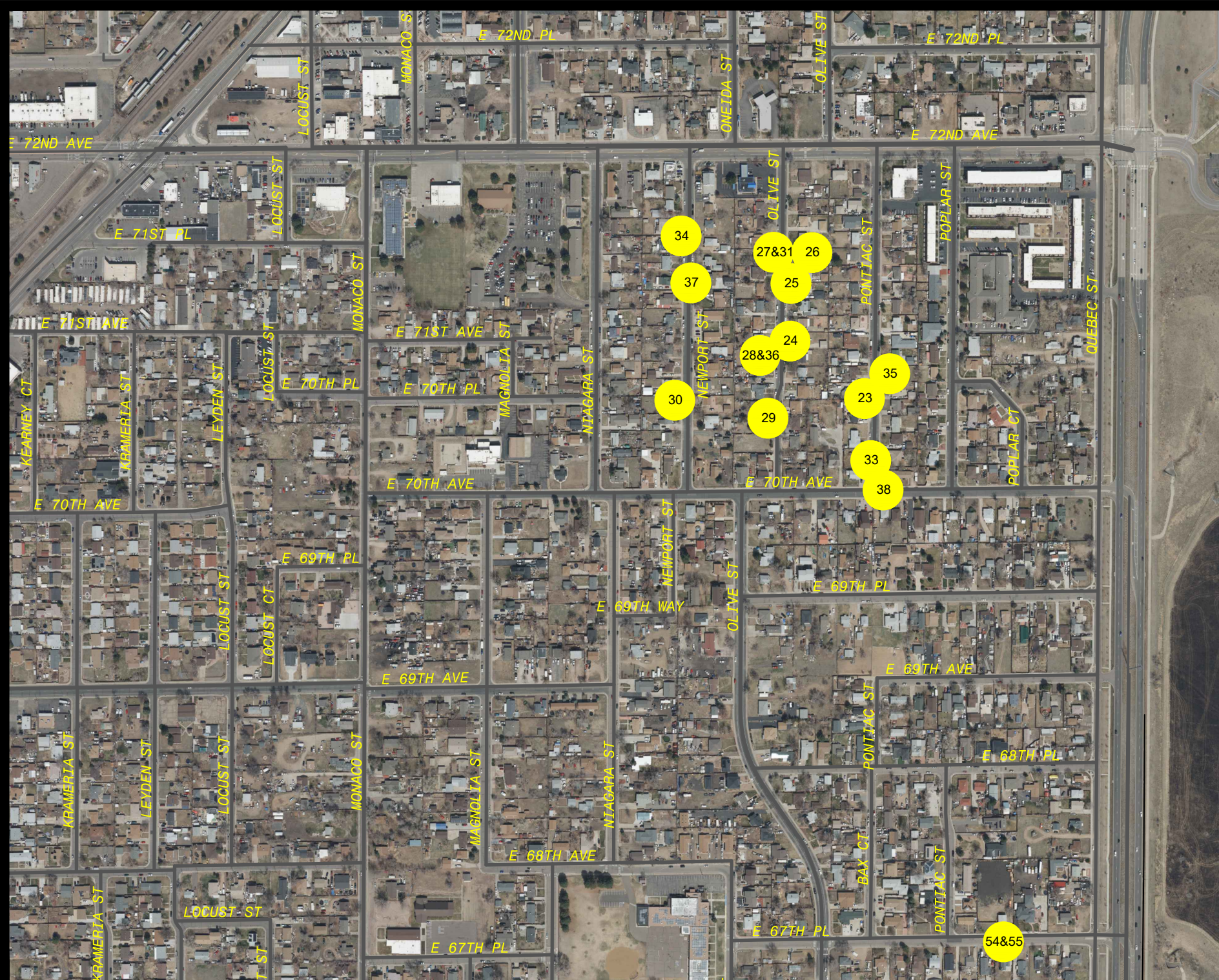
**Monaco**  
 Concrete Flatwork 2024  
 COMMERCE CITY  
 Department of Public Works  
 8602 Rosemary St.  
 Commerce City, CO 80022  
 www.c3gov.com  
 Tel: (303) 289-8150  
 Fax: (303) 289-8165

REVISIONS			
NO.	BY	DATE	DESCRIPTION

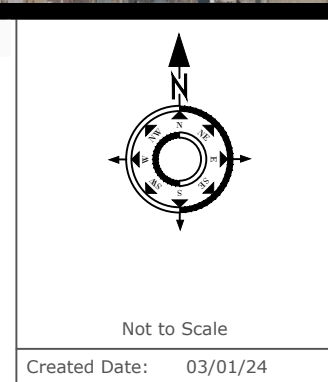
Contact:	COMMERCE CITY
Phone:	303-289-8150
Email:	@c3gov.com





Derby Concrete	
23. 7061 Pontiac St 6.5' Combo (Curb, Gutter, Sidewalk)	24. 7110 Olive St 6.5' Combo (Curb, Gutter, Sidewalk)
25. 7150 Olive St 6.5' Combo (Curb, Gutter, Sidewalk)	26. 7156 Olive St 6.5' Combo (Curb, Gutter, Sidewalk)
27. 7161 Olive St 6.5' Combo (Curb, Gutter, Sidewalk)	28. 7095 Olive St 6.5' Combo (Curb, Gutter, Sidewalk)
29. 7071 Olive St 6.5' Combo (Curb, Gutter, Sidewalk)	30. 7051 Newport St 6.5' Combo (Curb, Gutter, Sidewalk)
31. 7161 Olive St 6.5' Combo with Manhole	33. 7010 Pontiac St Driveway
34. 7155 Newport St Driveway	35. 7070 Pontiac St Inlet curb and gutter
36. 7095 Olive St Inlet curb and gutter	37. 7140 Newport St Inlet curb and gutter
38. 70th Ave & Pontiac St NE corner Ramp	54. 7200 67th Pl 5.5' Combo (Curb, Gutter, Sidewalk)
55. 7200 67th Pl 5.5' Combo (Curb, Gutter, Sidewalk)	

**NOTES:**



**Derby**  
 Concrete Flatwork 2024  
 COMMERCE CITY  
 Department of Public Works  
 8602 Rosemary St.  
 Commerce City, CO 80022  
 www.c3gov.com  
 Tel: (303) 289-8150  
 Fax: (303) 289-8165

REVISIONS			
NO.	BY	DATE	DESCRIPTION



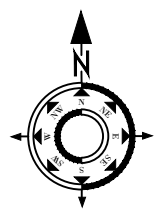


# Derby Concrete

20. Oneida St S of Highway 2  
SB Curb & Gutter

21. 7295 Monaco St  
Parking Panel

**NOTES:**



Not to Scale

Created Date: 03/01/24



**Derby**  
Concrete Flatwork 2024  
COMMERCE CITY  
Department of Public Works  
8602 Rosemary St.  
Commerce City, CO 80022  
www.c3gov.com  
Tel: (303) 289-8150  
Fax: (303) 289-8165

## REVISIONS

NO.	BY	DATE	DESCRIPTION

Contact:	COMMERCE CITY
Phone:	303-289-8150
Email:	@c3gov.com





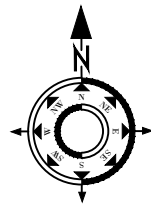
# Tichy Concrete

**52.** 5561 67th PI  
5.5' Combo (Curb, Gutter, Sidewalk)

**53.** 5441 67th PI  
5.5' Combo (Curb, Gutter, Sidewalk)

**56.** 5561 67th PI  
5.5' Combo (Curb, Gutter, Sidewalk)

## NOTES:



Not to Scale

Created Date: 03/01/24



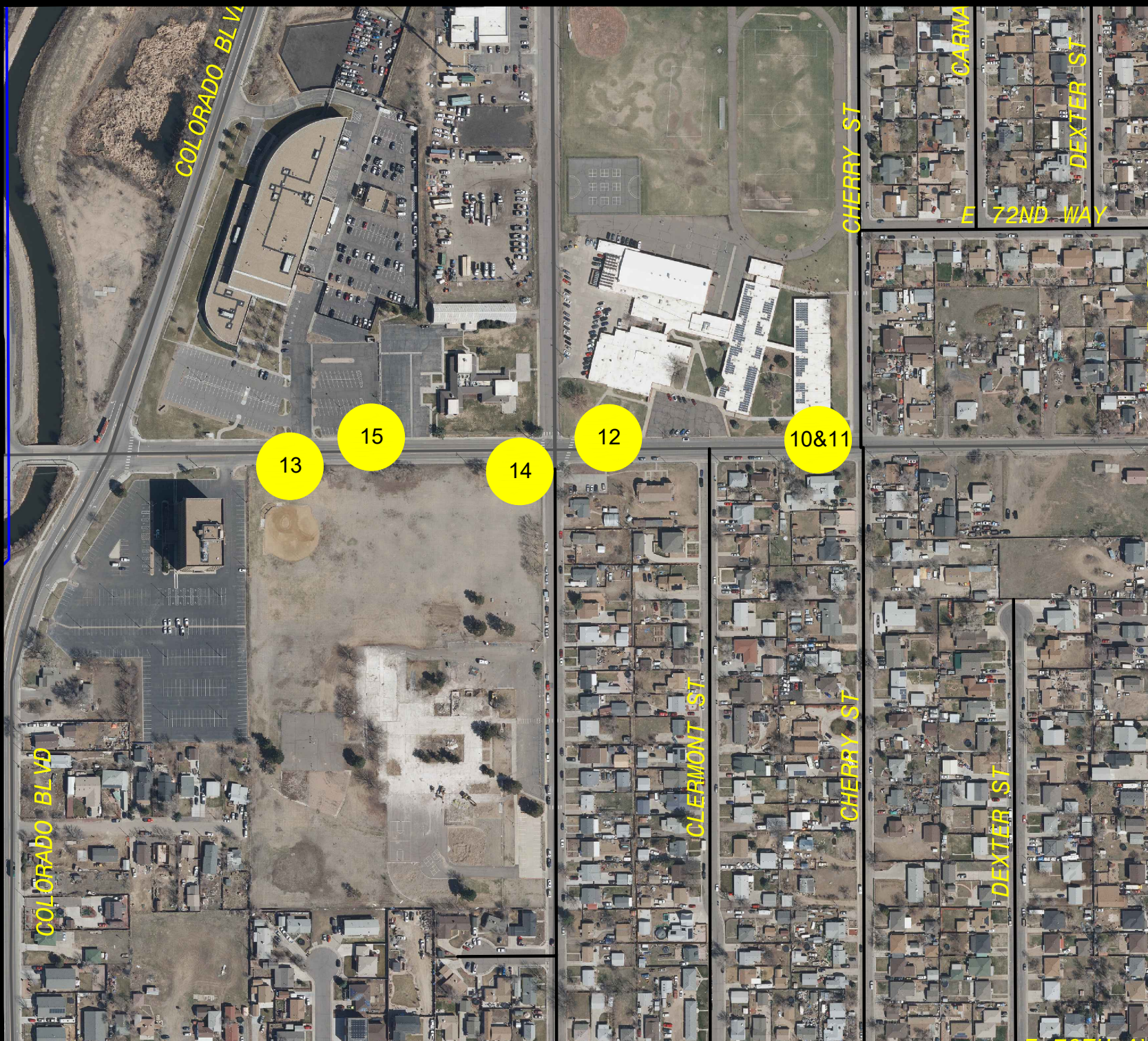
**Tichy**  
Concrete Flatwork 2024  
COMMERCE CITY  
Department of Public Works  
8602 Rosemary St.  
Commerce City, CO 80022  
www.c3gov.com  
Tel: (303) 289-8150  
Fax: (303) 289-8165

## REVISIONS

NO.	BY	DATE	DESCRIPTION

Contact: COMMERCE CITY  
Phone: 303-289-8150  
Email: @c3gov.com

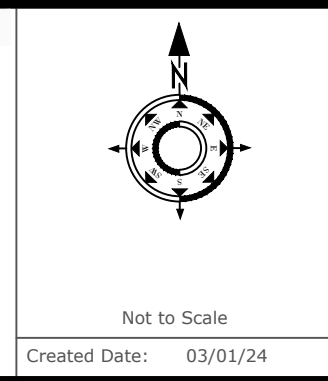




## E 72nd Ave Concrete

<b>10.</b> 4513 E 72nd Ave 6" Curb & Gutter	<b>11.</b> 4513 E 72nd Ave 6" Curb & Gutter
<b>12.</b> 4400 E 72nd Ave 6" Curb & Gutter	<b>13.</b> 4242 E 72nd Ave Curb & Gutter
<b>14.</b> 4398 E 72nd Ave Curb & Gutter	<b>15.</b> 4731 E 72nd Ave Curb & Gutter

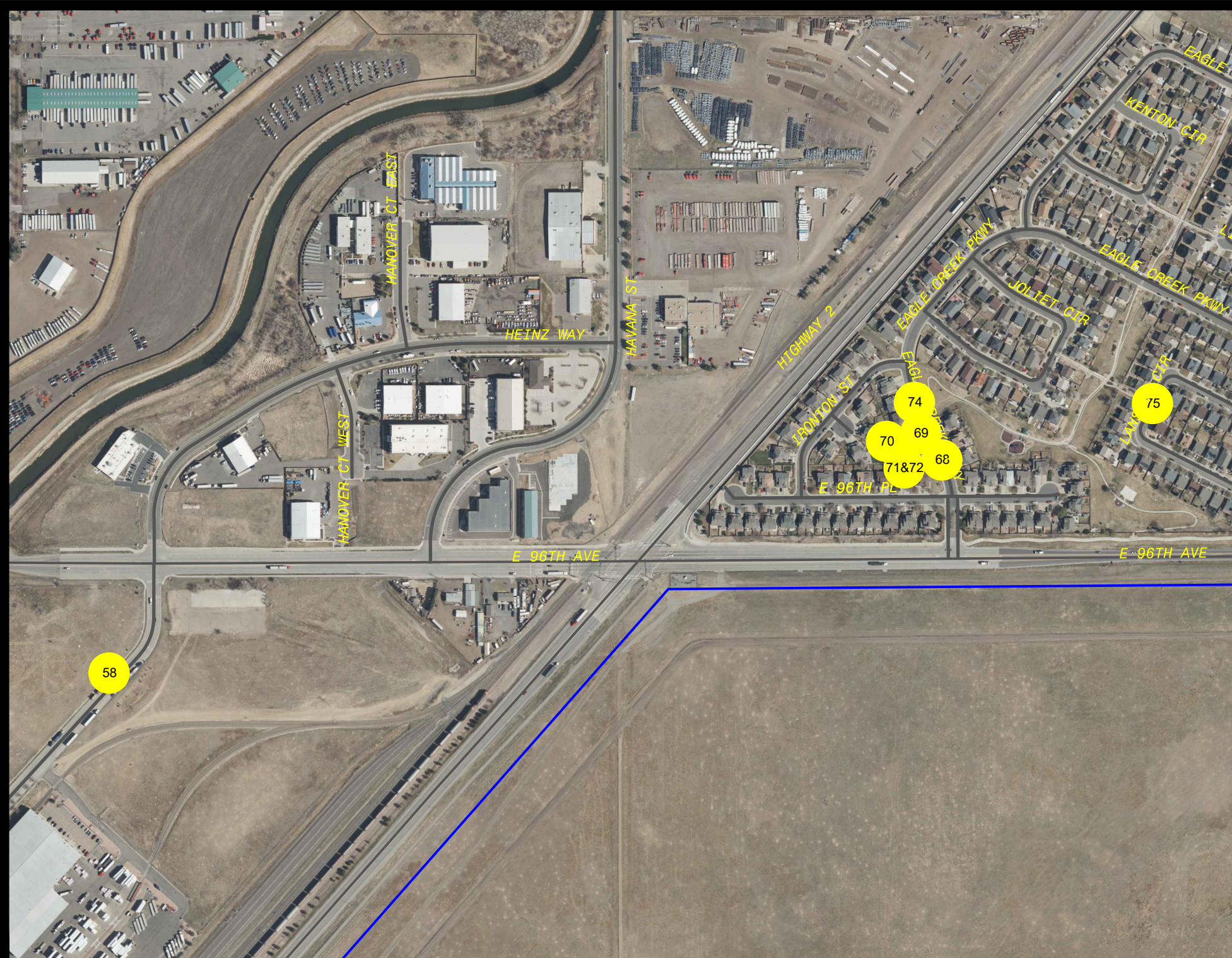
**NOTES:**



**E 72nd Ave**  
 Concrete Flatwork 2024  
 COMMERCE CITY  
 Department of Public Works  
 8602 Rosemary St.  
 Commerce City, CO 80022  
[www.c3gov.com](http://www.c3gov.com)  
 Tel: (303) 289-8150  
 Fax: (303) 289-8165

REVISIONS			
NO.	BY	DATE	DESCRIPTION
Contact:			COMMERCE CITY
Phone:			303-289-8150
Email:			@c3gov.com

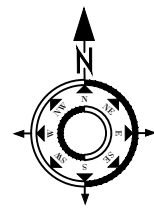




## Eagle Creek Concrete

<b>58.</b> Heinz Way S of 96th Ave west side Inlet curb and gutter	<b>68.</b> 9648 Eagle Creek Pkwy 6.5' Combo (Curb, Gutter, Sidewalk)
<b>69.</b> 9652 Eagle Creek Pkwy 6.5' Combo (Curb, Gutter, Sidewalk)	<b>70.</b> 9667 Eagle Creek Pkwy 6.5' Combo (Curb, Gutter, Sidewalk)
<b>71.</b> 9659 Eagle Creek Pkwy 6.5' Combo (Curb, Gutter, Sidewalk)	<b>72.</b> 9655 Eagle Creek Pkwy 6.5' Combo (Curb, Gutter, Sidewalk)
<b>74.</b> 9664 Eagle Creek Pkwy Inlet curb and gutter	<b>75.</b> Between 9653 and 9655 Lansing Cir Ramp

### NOTES:



Not to Scale

Created Date: 03/01/24



## Eagle Creek Subdivision

Concrete Flatwork 2024

COMMERCE CITY

Department of Public Works

8602 Rosemary St.  
Commerce City, CO 80022  
www.c3gov.com  
Tel: (303) 289-8150  
Fax: (303) 289-8165

### REVISIONS

NO.	BY	DATE	DESCRIPTION

Contact:	COMMERCE CITY
Phone:	303-289-8150
Email:	@c3gov.com

9 of 15





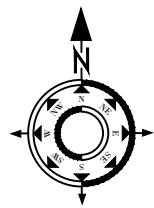




## E 104th Ave Concrete

<b>59.</b> Hwy 2 SB, turn lane to WB 104th Ave (2 panels) Remove & Replace Concrete Panels	<b>99.</b> 104th Ave EB from Hwy 2 right lane (3 panels) Remove & Replace Concrete Panels
<b>100.</b> 104th Ave EB from Hwy 2 right lane (1 panel) Remove & Replace Concrete Panels	<b>101.</b> 104th Ave EB from Hwy 2 center lane (2 panels) Remove & Replace Concrete Panels

**NOTES:**



Not to Scale

Created Date: 03/01/24



**E 104th Ave**  
 Concrete Flatwork 2024  
 COMMERCE CITY  
 Department of Public Works  
 8602 Rosemary St.  
 Commerce City, CO 80022  
[www.c3gov.com](http://www.c3gov.com)  
 Tel: (303) 289-8150  
 Fax: (303) 289-8165

### REVISIONS

NO.	BY	DATE	DESCRIPTION

Contact:	COMMERCE CITY
Phone:	303-289-8150
Email:	@c3gov.com













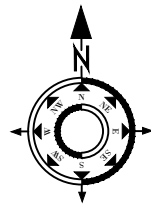




# The Village Concrete

92. 12170 Village Circle East Curb & Gutter

**NOTES:**



Not to Scale

Created Date: 03/01/24



**The Village**  
 Concrete Flatwork 2024  
 COMMERCE CITY  
 Department of Public Works  
 8602 Rosemary St.  
 Commerce City, CO 80022  
 www.c3gov.com  
 Tel: (303) 289-8150  
 Fax: (303) 289-8165

**REVISIONS**

NO.	BY	DATE	DESCRIPTION

Contact: COMMERCE CITY  
 Phone: 303-289-8150  
 Email: @c3gov.com